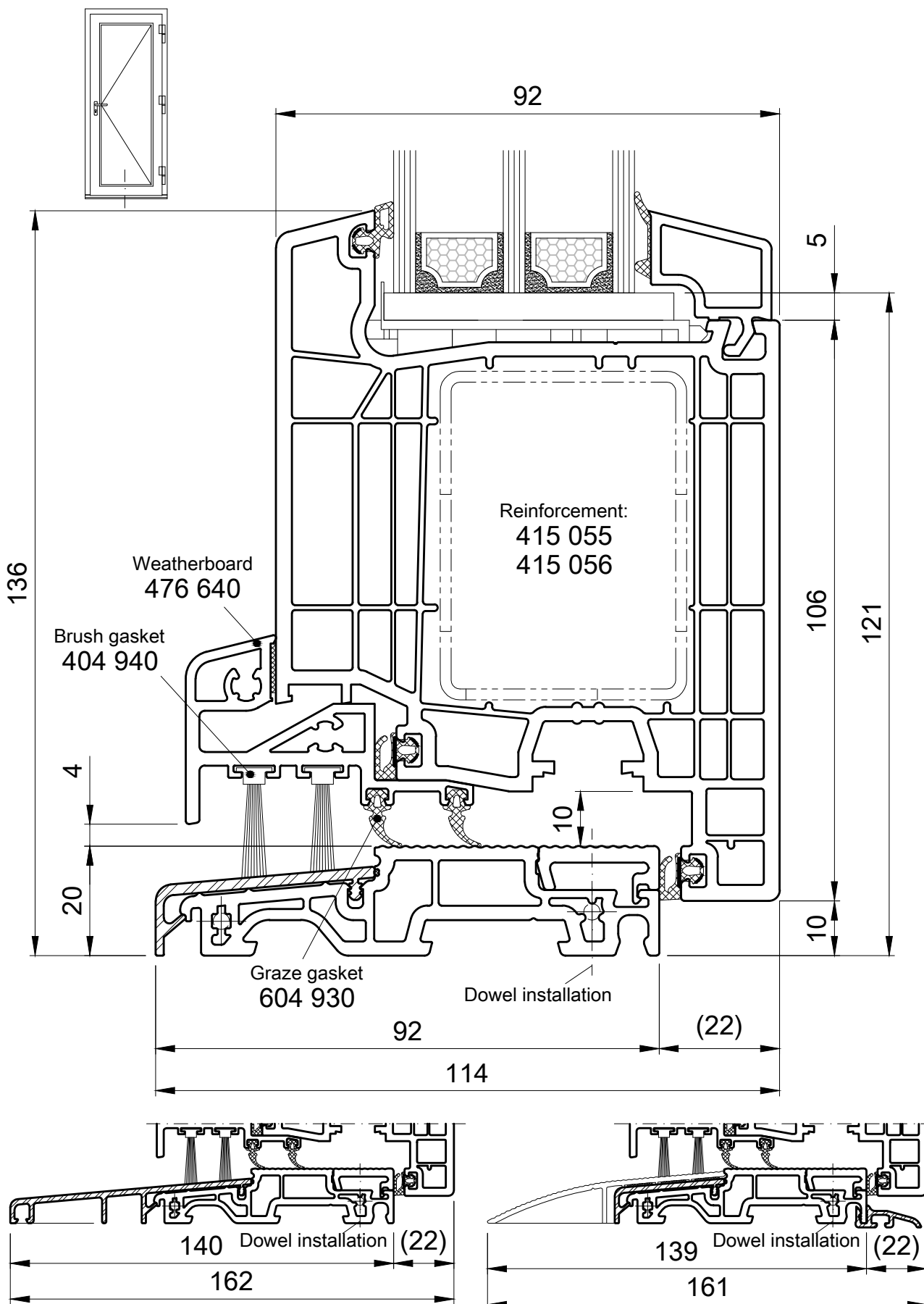


Door-threshold

Threshold	Casement	Adapter profile handicapped accessible	Adapter profile	bE 04
476 325, 476 340	171 040	476 627	216 321	04.1



Seal with permanently elastic, neutrally bonding sealant, suitable for PVC and galvanized steel.

Scale 1:1 (1:2) (or depending on print-out)

Issue: 03/2012

Door-threshold

Threshold (adapter profile)

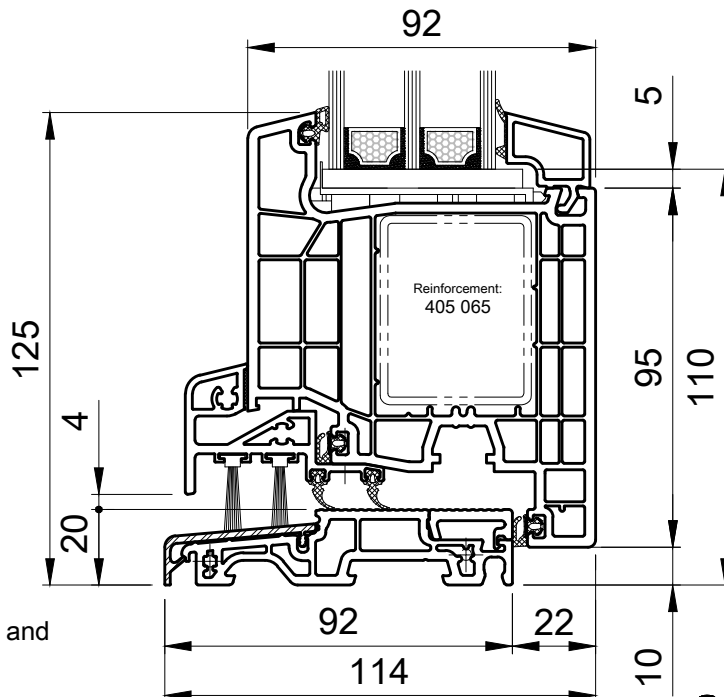
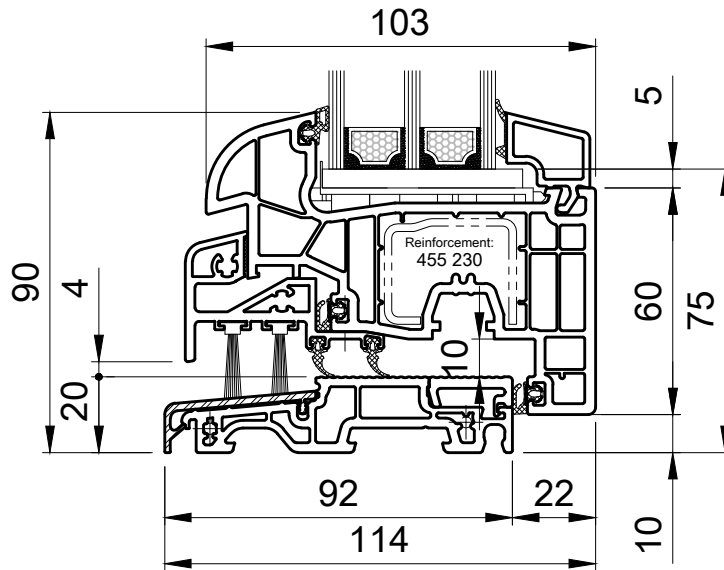
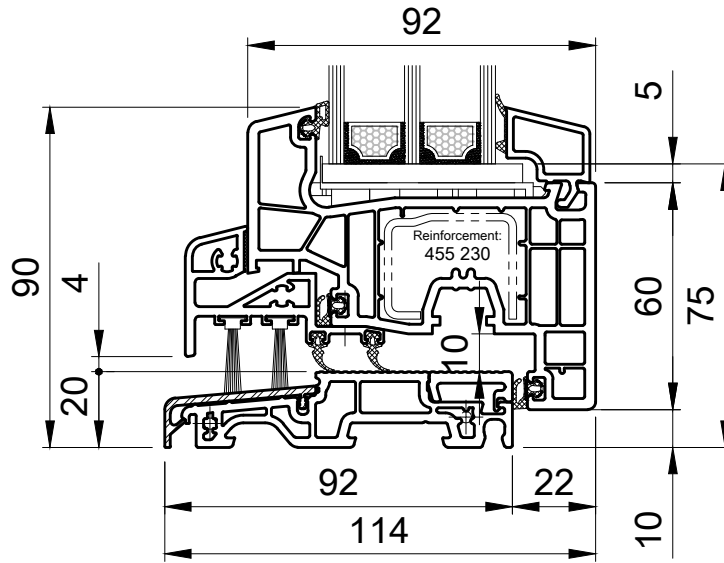
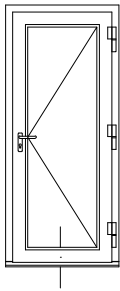
476 325, 476 340 (476 627, 216 321)

Casement

171 020, 171 226, 171 030

bE 04

04.2



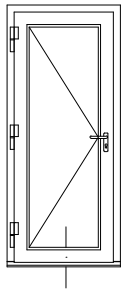
Seal with permanently elastic, neutrally bonding sealant, suitable for PVC and galvanized steel.

Scale 1:2 (or depending on print-out)

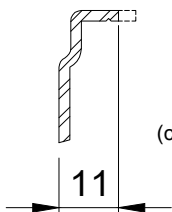
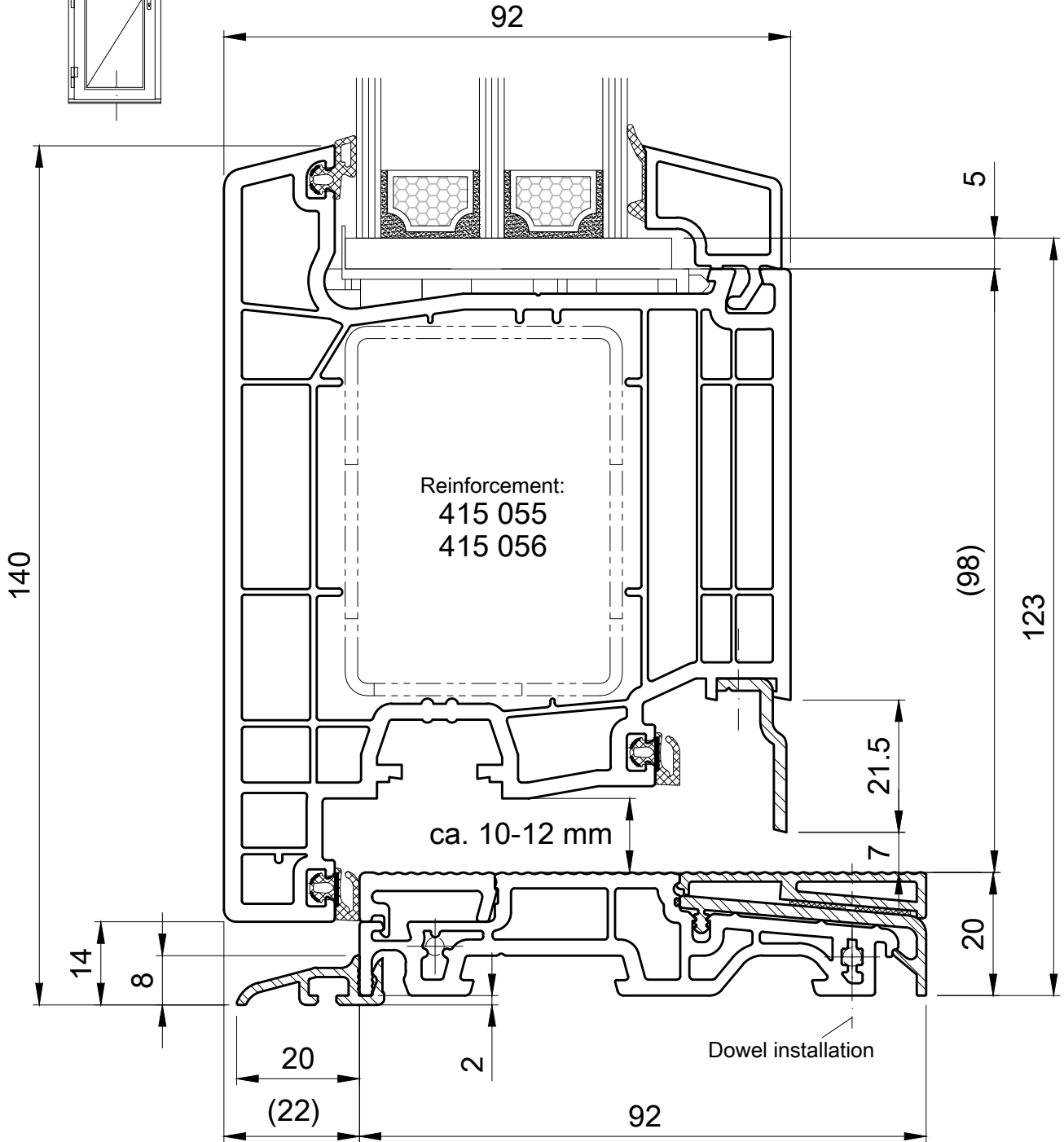
Issue: 03/2012

**Door-threshold**

Threshold 476 325	Casement 371 040	Adapter profile opening to the outside 476 626	Adapter profile 216 321	bE 04 04.3
----------------------	---------------------	---	----------------------------	---------------



Opening to the outside



**478 520**  
Weatherboard Alu  
(cutting before assembly)

Seal with permanently elastic, neutrally bonding sealant, suitable for PVC and galvanized steel.

Scale 1:1 (1:2) (or depending on print-out)

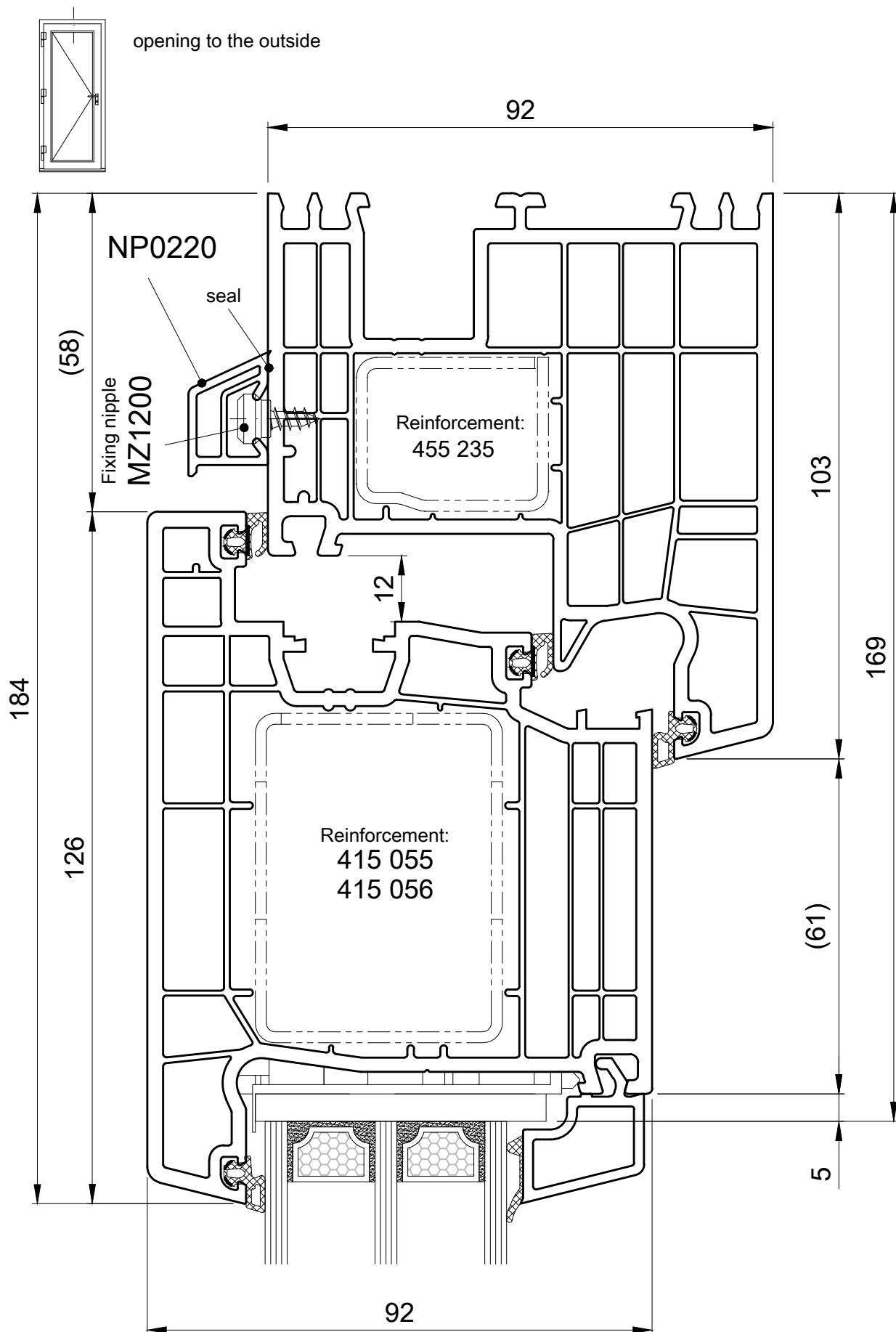
Issue: 03/2012

Door-threshold

Frame  
170 430

Casement  
371 040

bE 04  
04.4



Seal with permanently elastic, neutrally bonding sealant, suitable for PVC and galvanized steel.

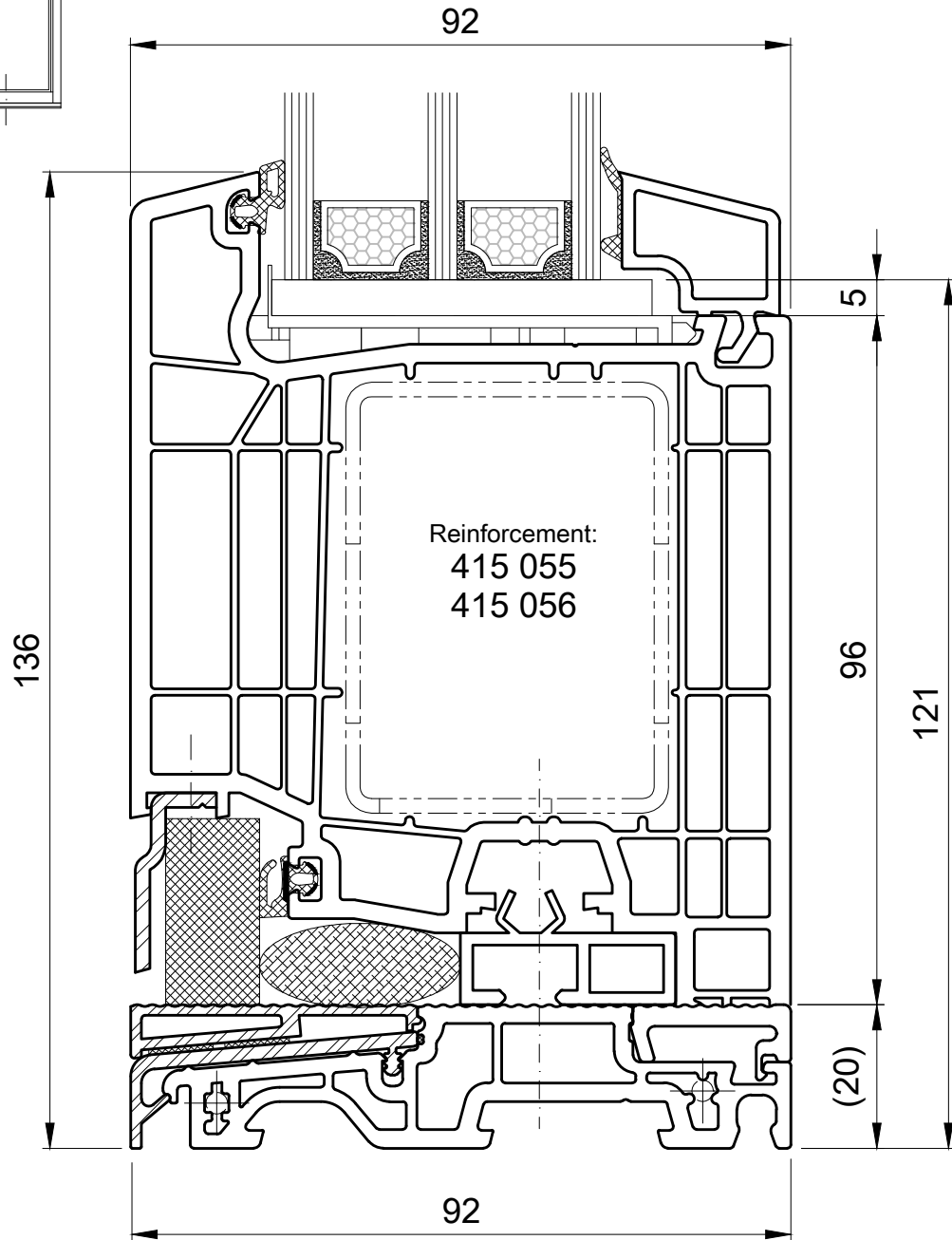
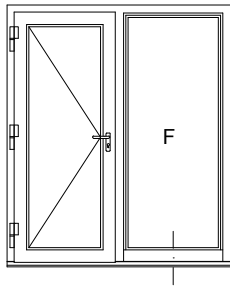
Scale 1:1 (1:2) (or depending on print-out)

Issue: 03/2012



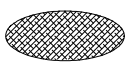
Threshold	Casement	Adapter profile opening to the outside
476 325	171 040	476 626

bE 04
04.5



406 066  
False edge

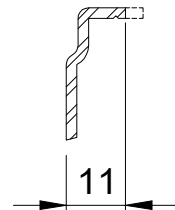
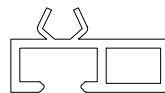
478 520  
Weatherboard Alu  
(cutting before assembly)



Closed-cell round cord Ø20mm



Pre-compressed gasket tape



Seal with permanently elastic, neutrally bonding sealant, suitable for PVC and galvanized steel.

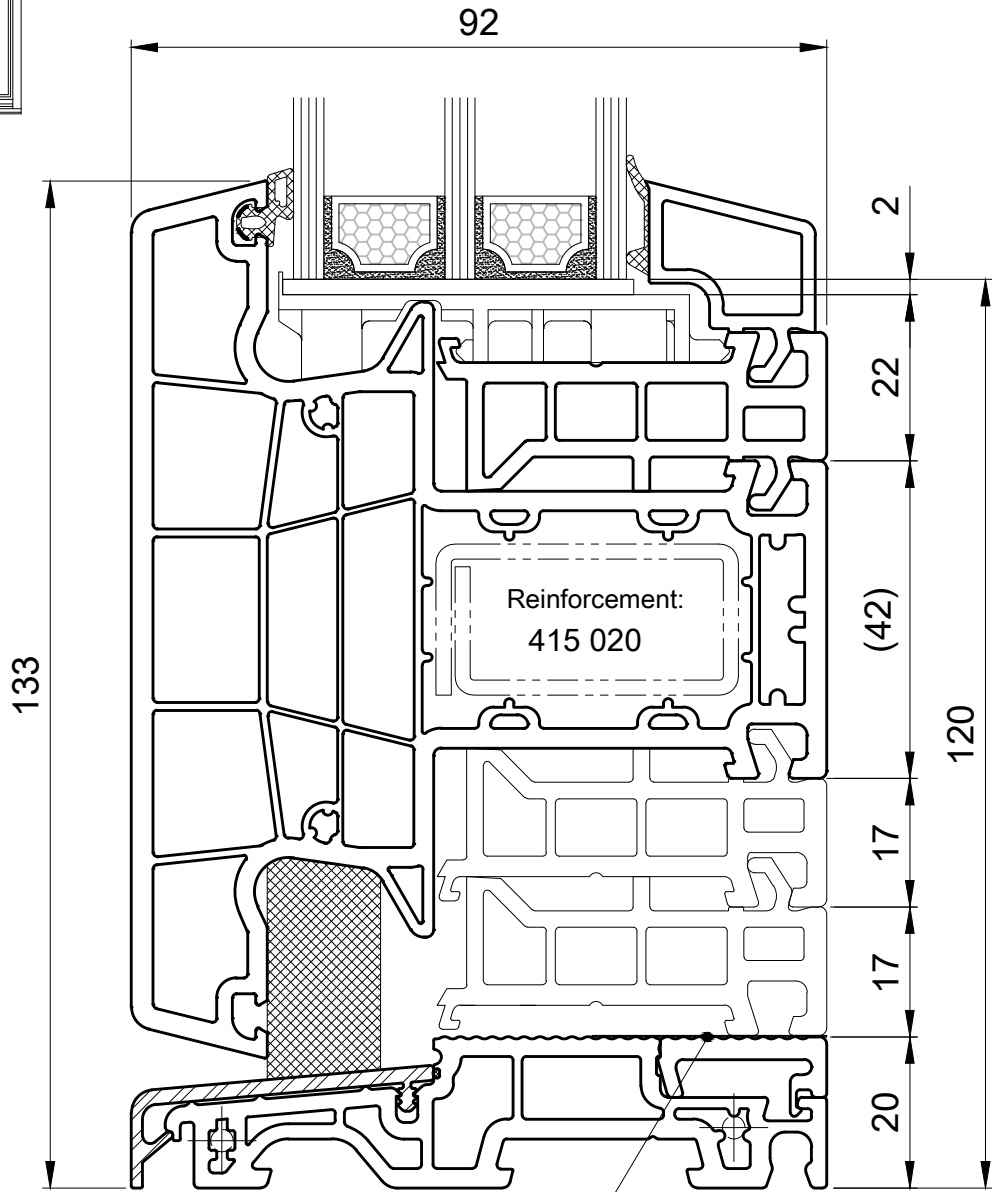
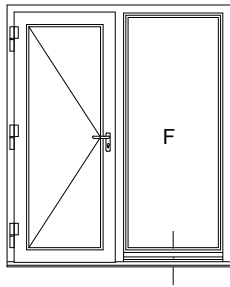
Scale 1:1 (not to scale) (or depending on print-out)

Issue: 03/2012

Threshold  
476 324

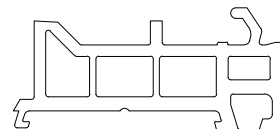
Post  
172 420


bE 04  
04.6



417 740  
Sicosil-band

173 415  
2x Fixed glazing bar



 Pre-compressed gasket tape

Seal with permanently elastic, neutrally bonding sealant, suitable for PVC and galvanized steel.

Scale 1:1 (not to scale) (or depending on print-out)

Issue: 03/2012