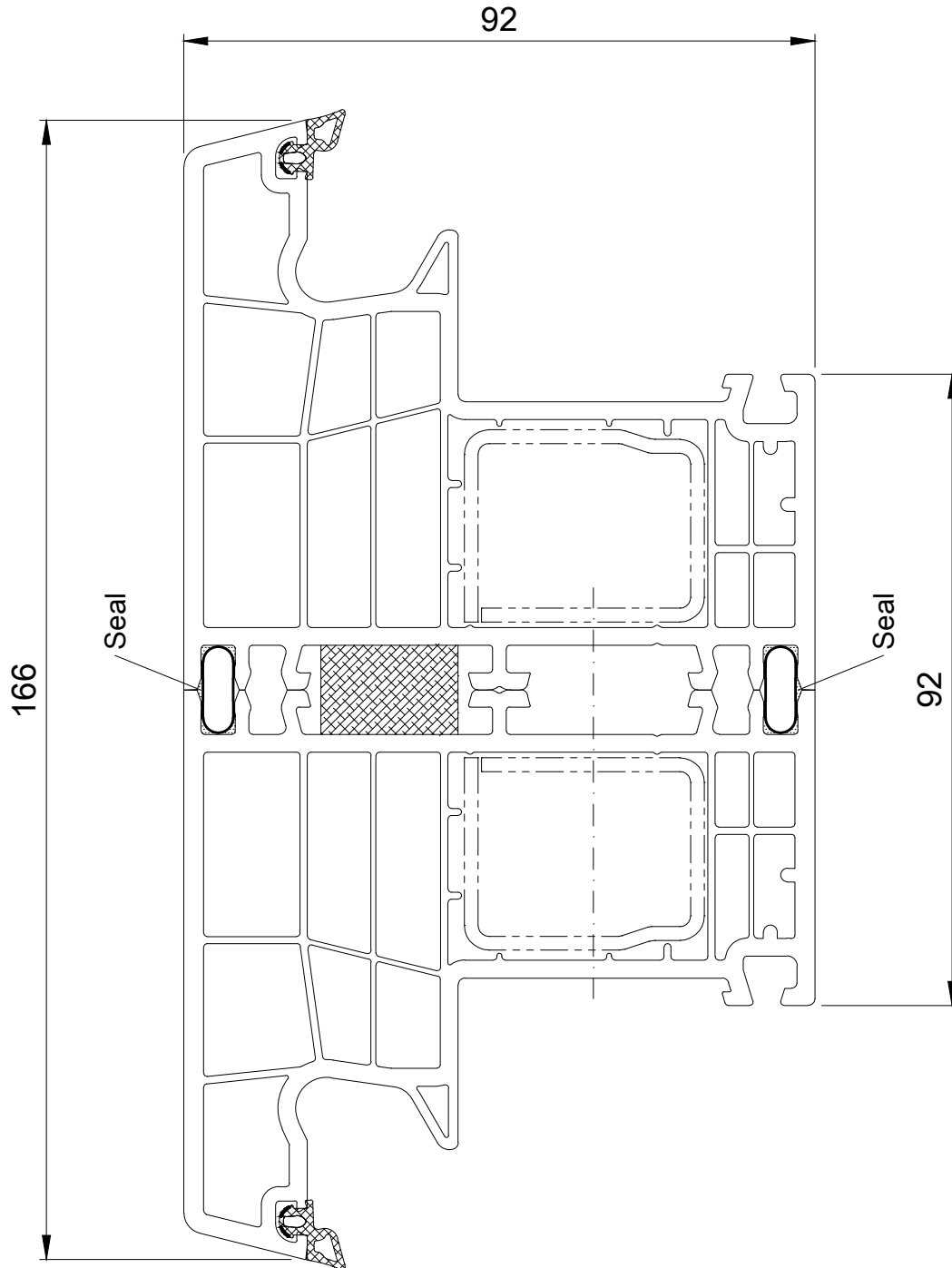


Spring coupling

406 250

bE 04

08.1



Pre-compressed gasket tape

Seal with permanently elastic, neutrally bonding sealant, suitable for PVC and galvanized steel.

Scale 1:1 (or depending on print-out)

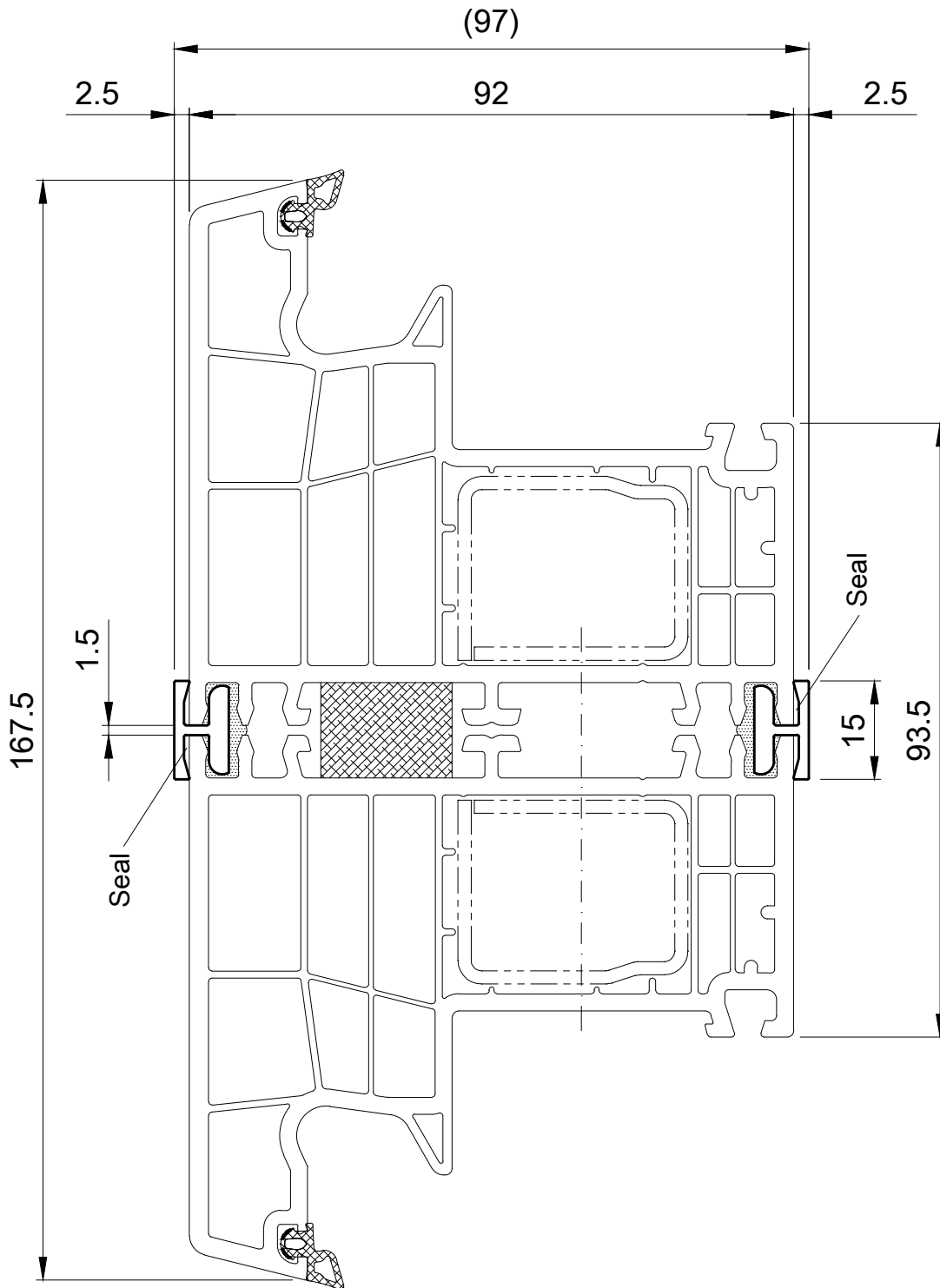
Issue: 03/2012

Spring coupling

406 255

bE 04

08.2



Pre-compressed gasket tape

Seal with permanently elastic, neutrally bonding sealant, suitable for PVC and galvanized steel.

Scale 1:1 (or depending on print-out)

Issue: 03/2012

Spring coupling

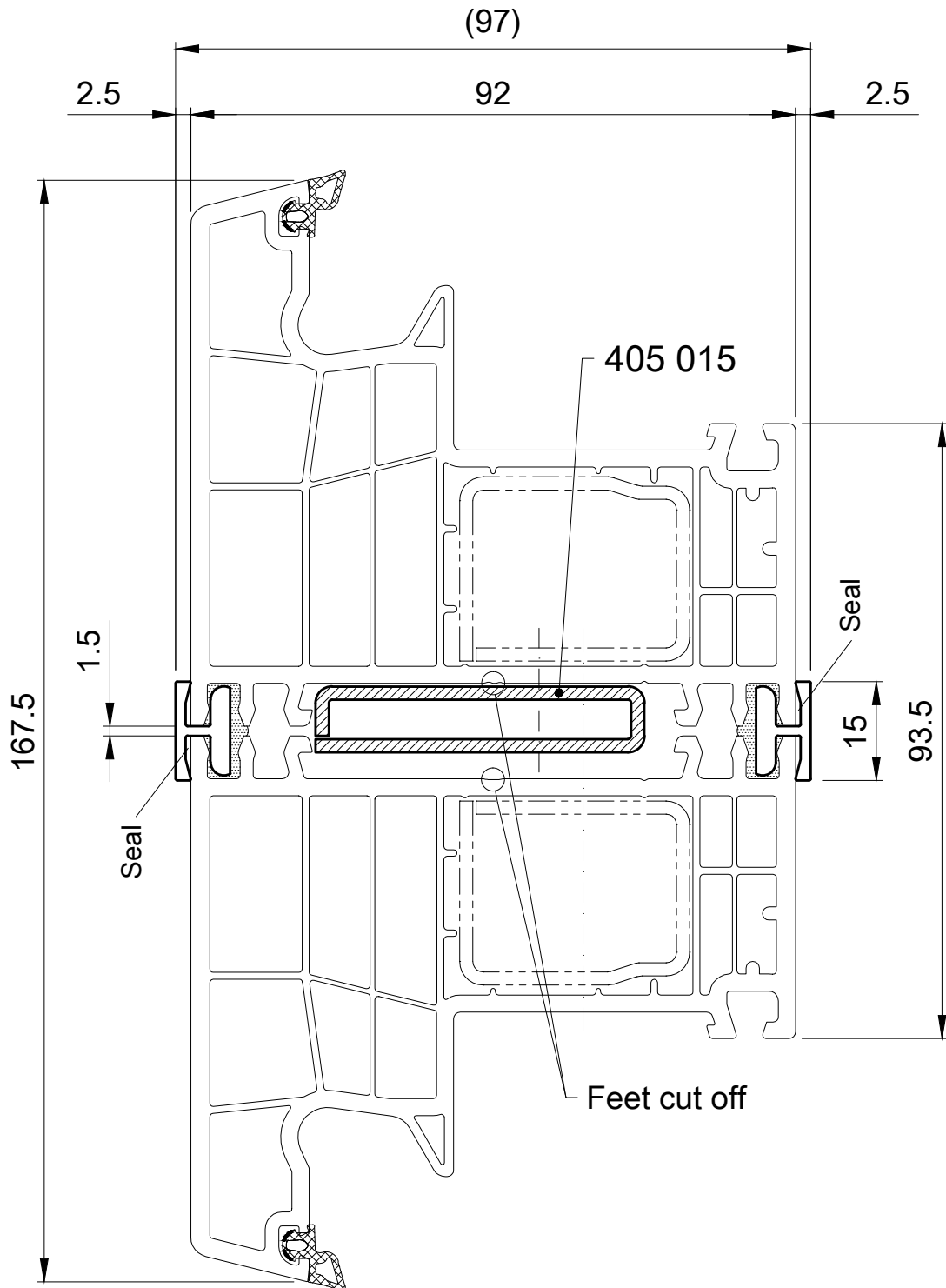
406 255

Reinforcement

405 015

bE 04

08.3



Seal with permanently elastic, neutrally bonding sealant, suitable for PVC and galvanized steel.

Scale 1:1 (or depending on print-out)

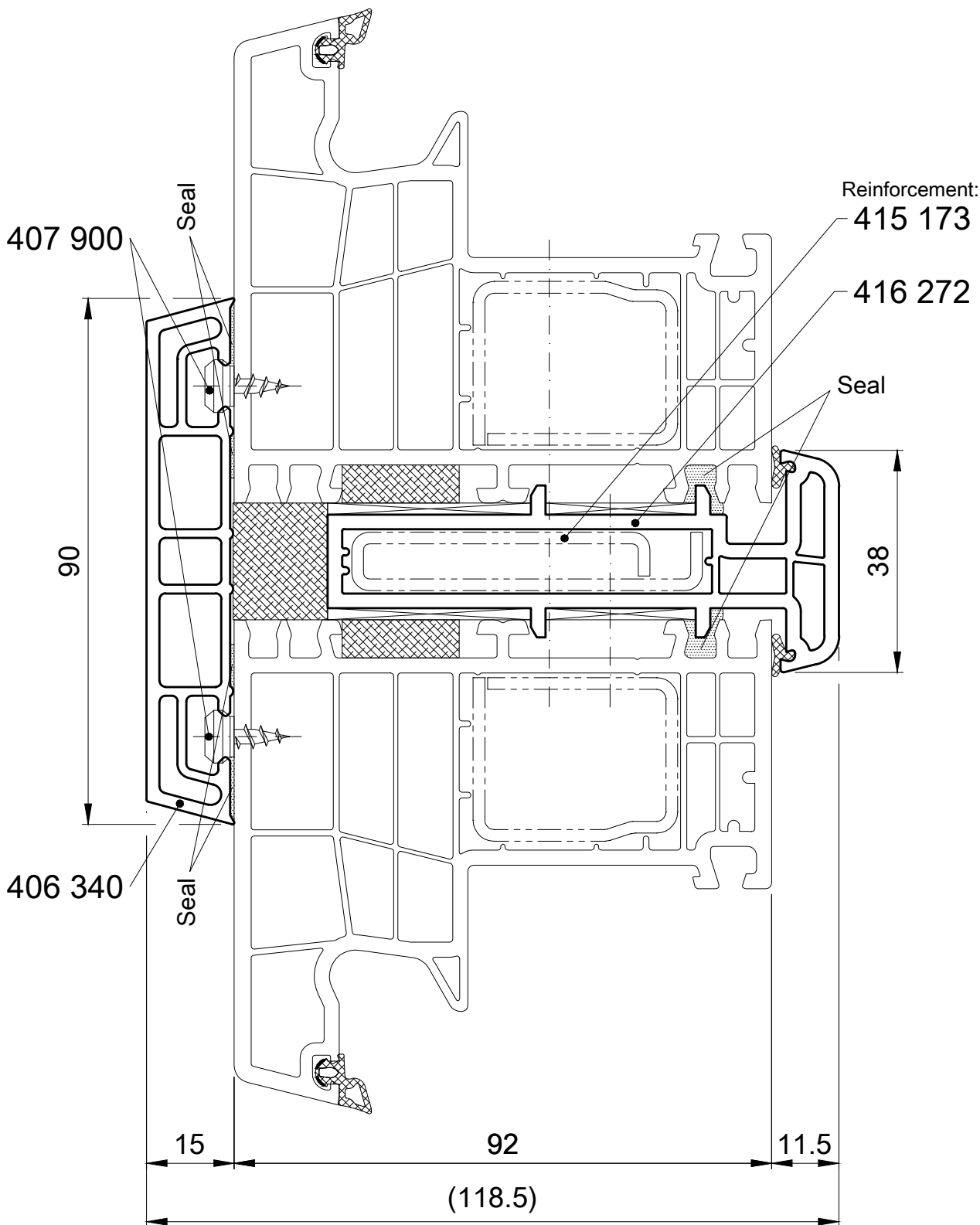
Issue: 03/2012

Coupling

Coupling
416 272

Cover
406 340

bE 04
08.4



Pre-compressed gasket tape

Seal with permanently elastic, neutrally bonding sealant, suitable for PVC and galvanized steel.

Scale 1:1 (or depending on print-out)

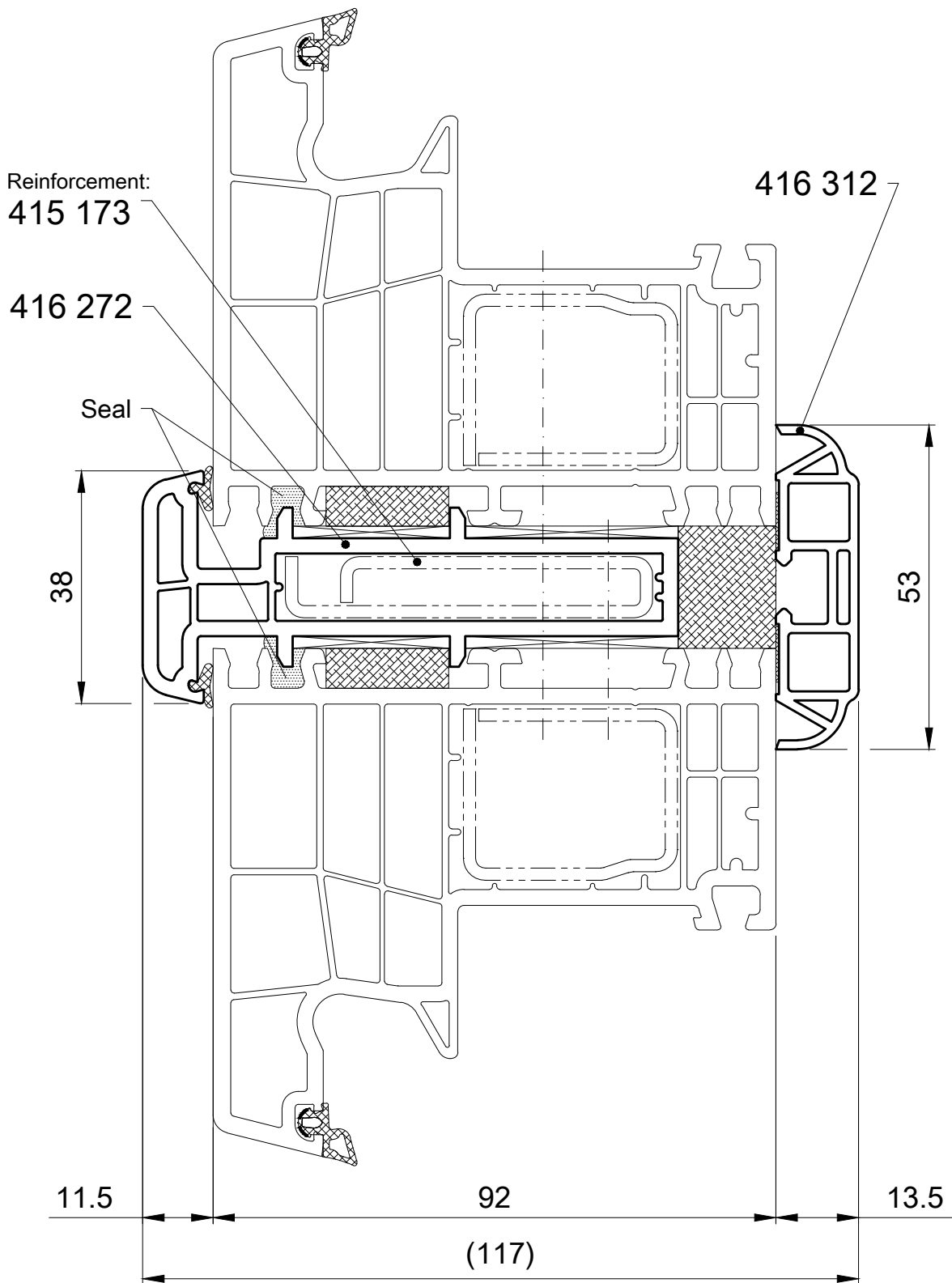
Issue: 03/2012

Coupling

Coupling
416 272

Cover, self adhesive
416 312

bE 04
08.5



Pre-compressed gasket tape

Seal with permanently elastic, neutrally bonding sealant, suitable for PVC and galvanized steel.

Scale 1:1 (or depending on print-out)

Issue: 03/2012

Coupling

Static coupling
405 165

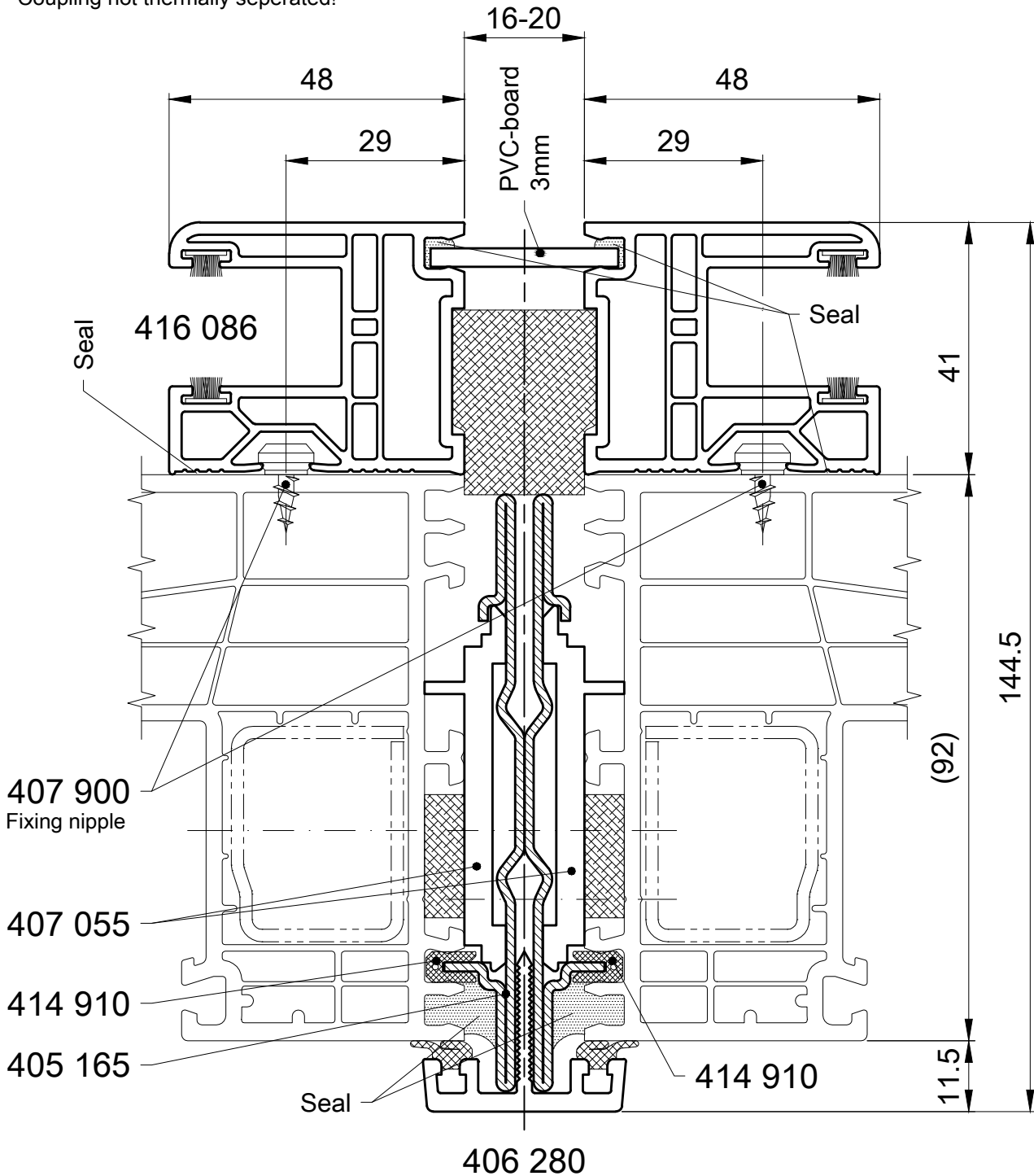
Cover cap
406 288

Expansion plate
407 055

Roller shutter guide
416 086

bE 04
08.6

Coupling not thermally separated!



depending on installation,
risk of condensation



Pre-compressed
gasket tape

Seal with permanently elastic, neutrally bonding sealant,
suitable for PVC and galvanized steel.

Scale 1:1 (or depending on print-out)

Issue: 03/2012

Static coupling
405 165

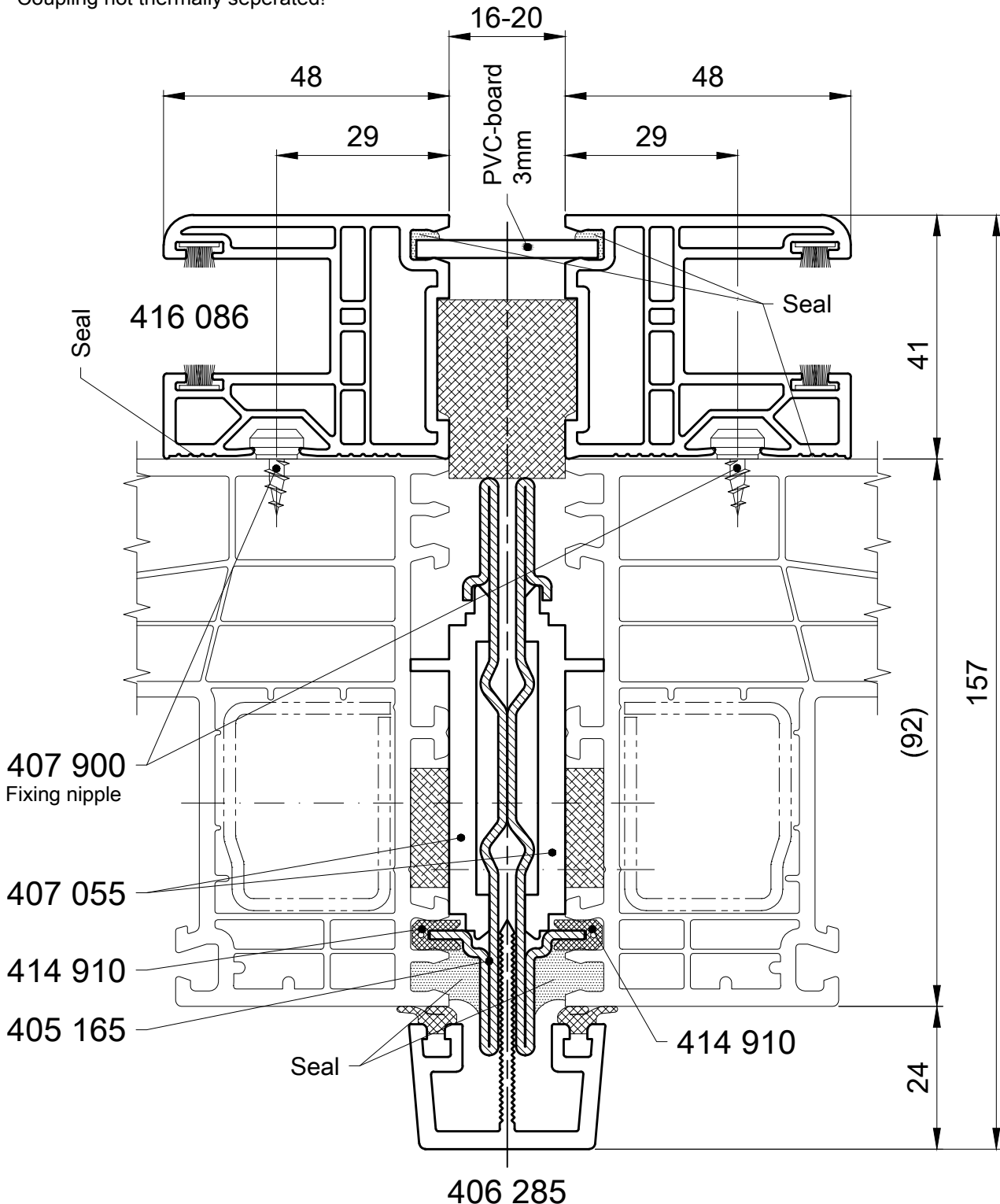
Cover cap
406 285

Expansion plate
407 055

Roller shutter guide
416 086

bE 04
08.7

Coupling not thermally separated!



depending on installation,
risk of condensation



Pre-compressed
gasket tape

Seal with permanently elastic, neutrally bonding sealant,
suitable for PVC and galvanized steel.

Scale 1:1 (or depending on print-out)

Issue: 03/2012

Coupling

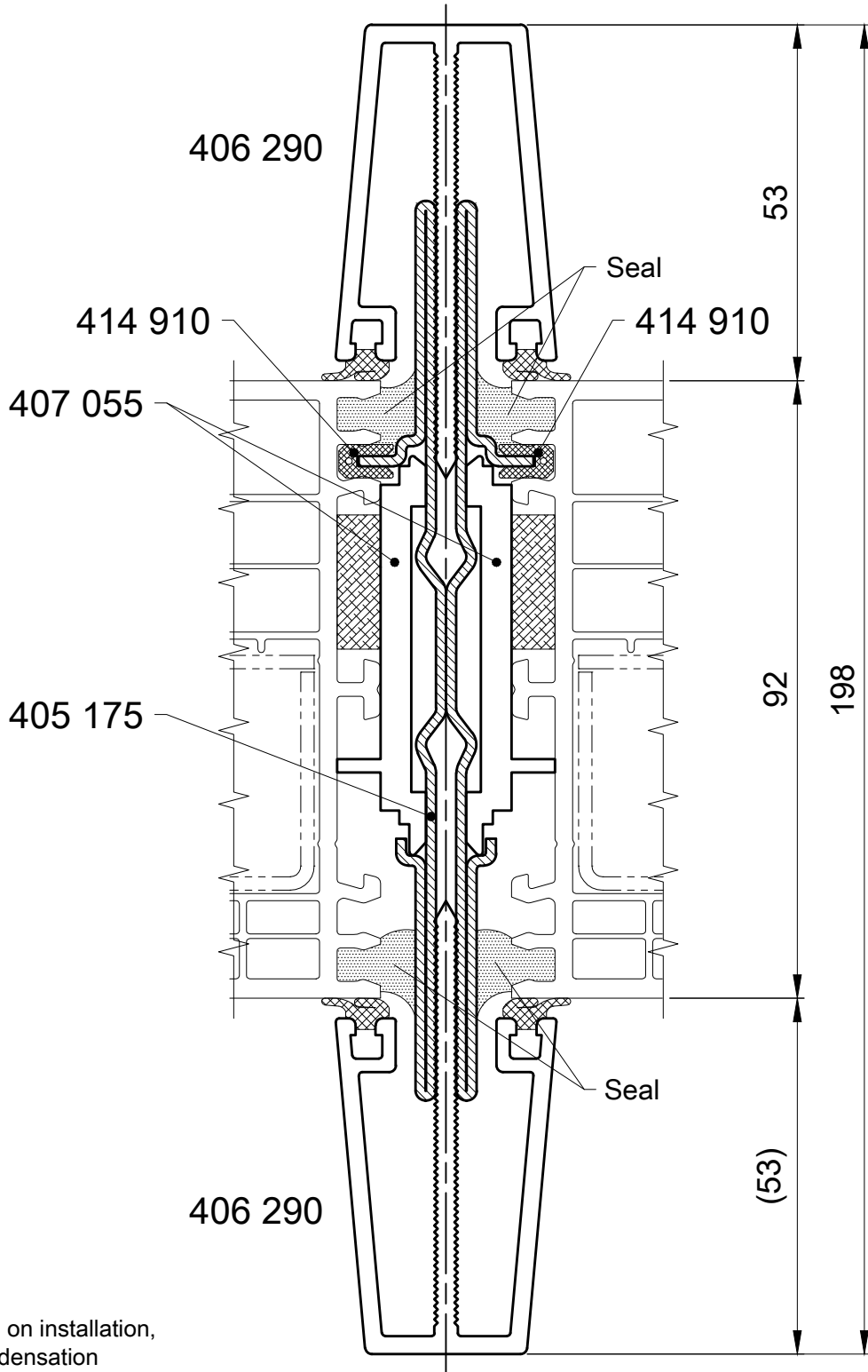
Static coupling
405 175

Cover cap
406 290

Expansion plate
407 055

bE 04
08.8

Coupling not thermally separated!



depending on installation,
risk of condensation



Pre-compressed
gasket tape

Seal with permanently elastic, neutrally bonding sealant,
suitable for PVC and galvanized steel.

Scale 1:1 (or depending on print-out)

Issue: 03/2012

Coupling

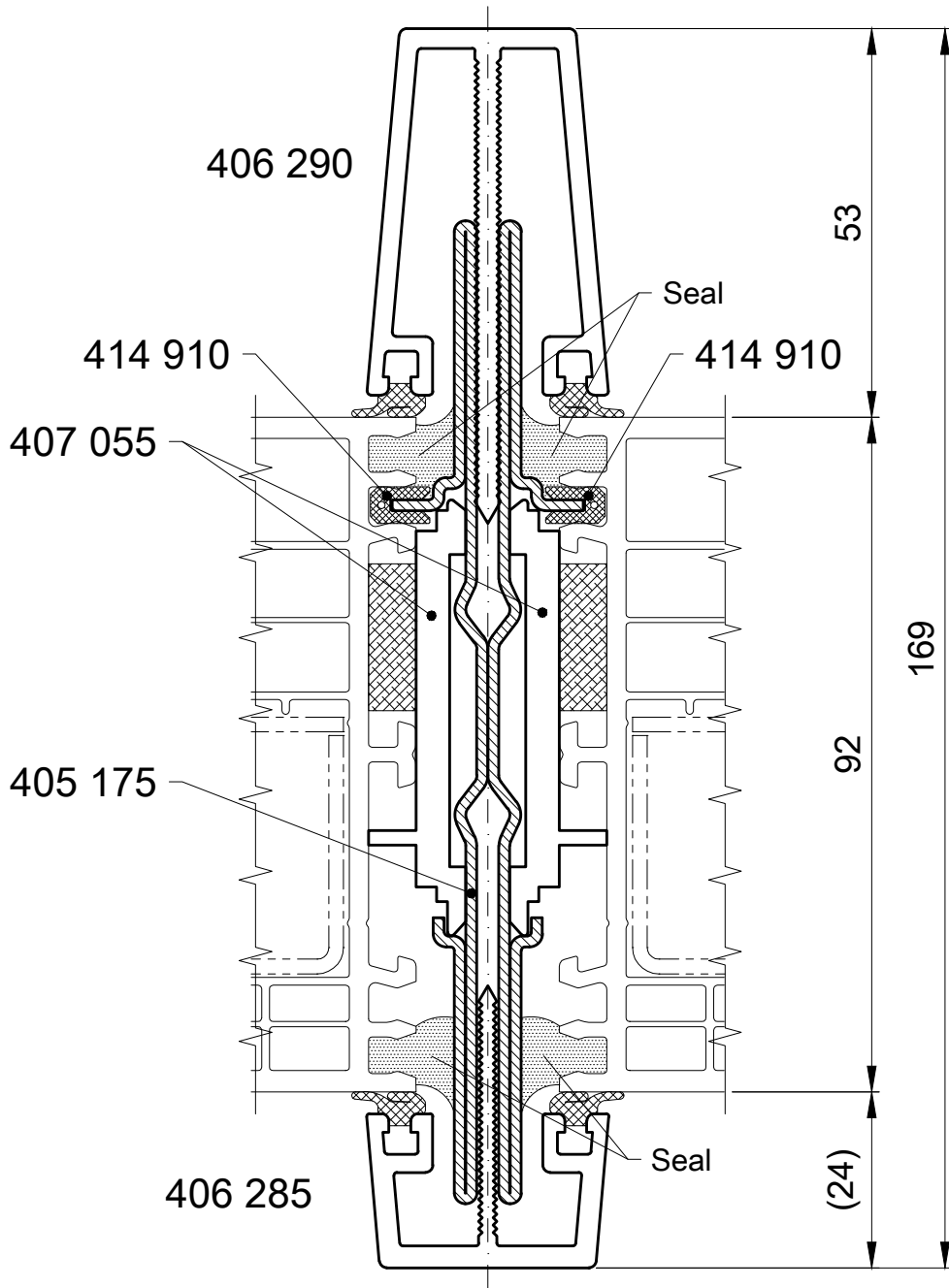
Static coupling
405 175

Cover cap
406 285, 406 290

Expansion plate
407 055

bE 04
08.9

Coupling not thermally seperated!



depending on installation,
risk of condensation



Pre-compressed
gasket tape

Seal with permanently elastic, neutrally bonding sealant,
suitable for PVC and galvanized steel.

Scale 1:1 (or depending on print-out)

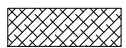
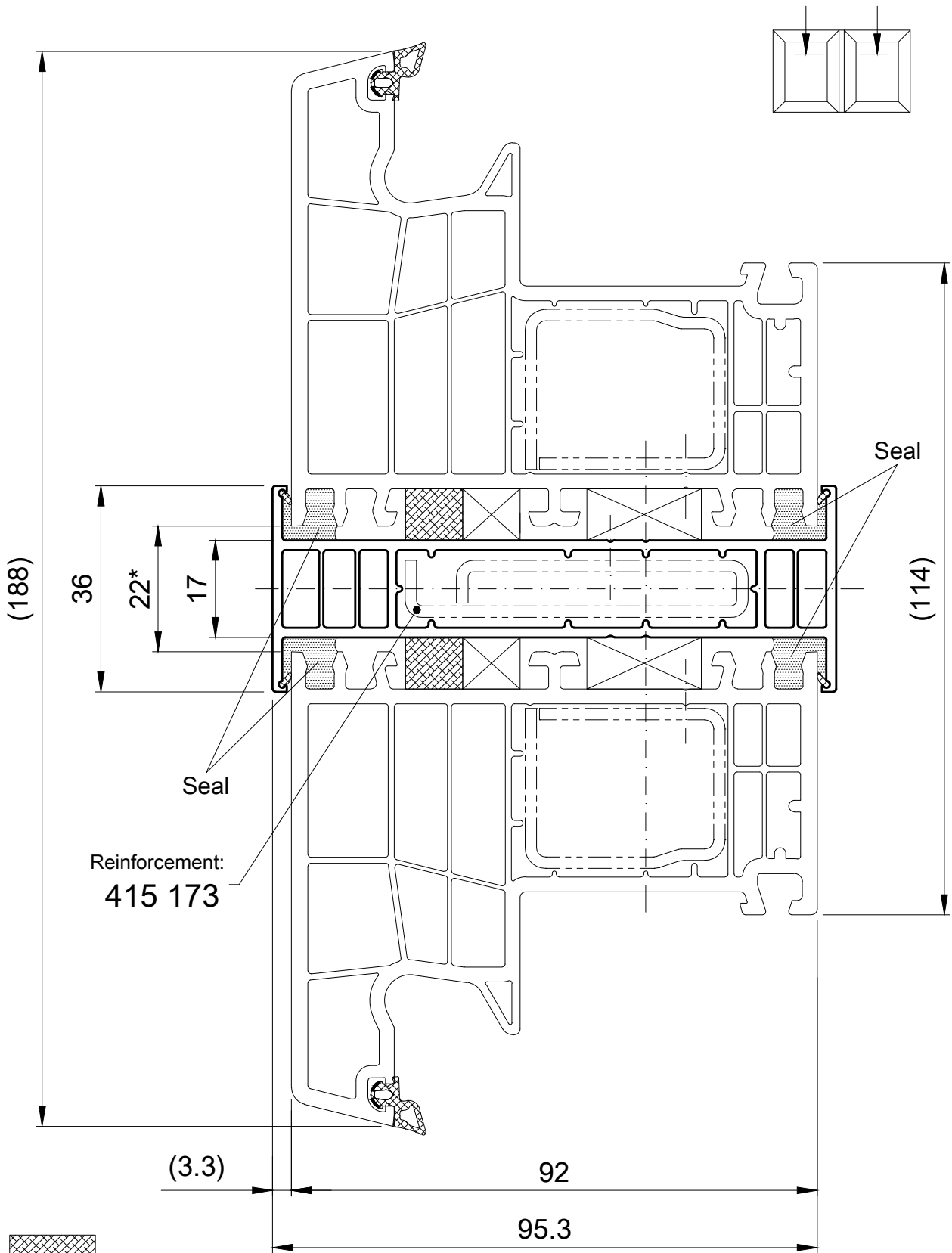
Issue: 03/2012

Coupling (insert vertical)

476 273

bE 04

08.10



Pre-compressed gasket tape

* with expansion compensation

Seal with permanently elastic, neutrally bonding sealant, suitable for PVC and galvanized steel.

Scale 1:1 (or depending on print-out)

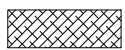
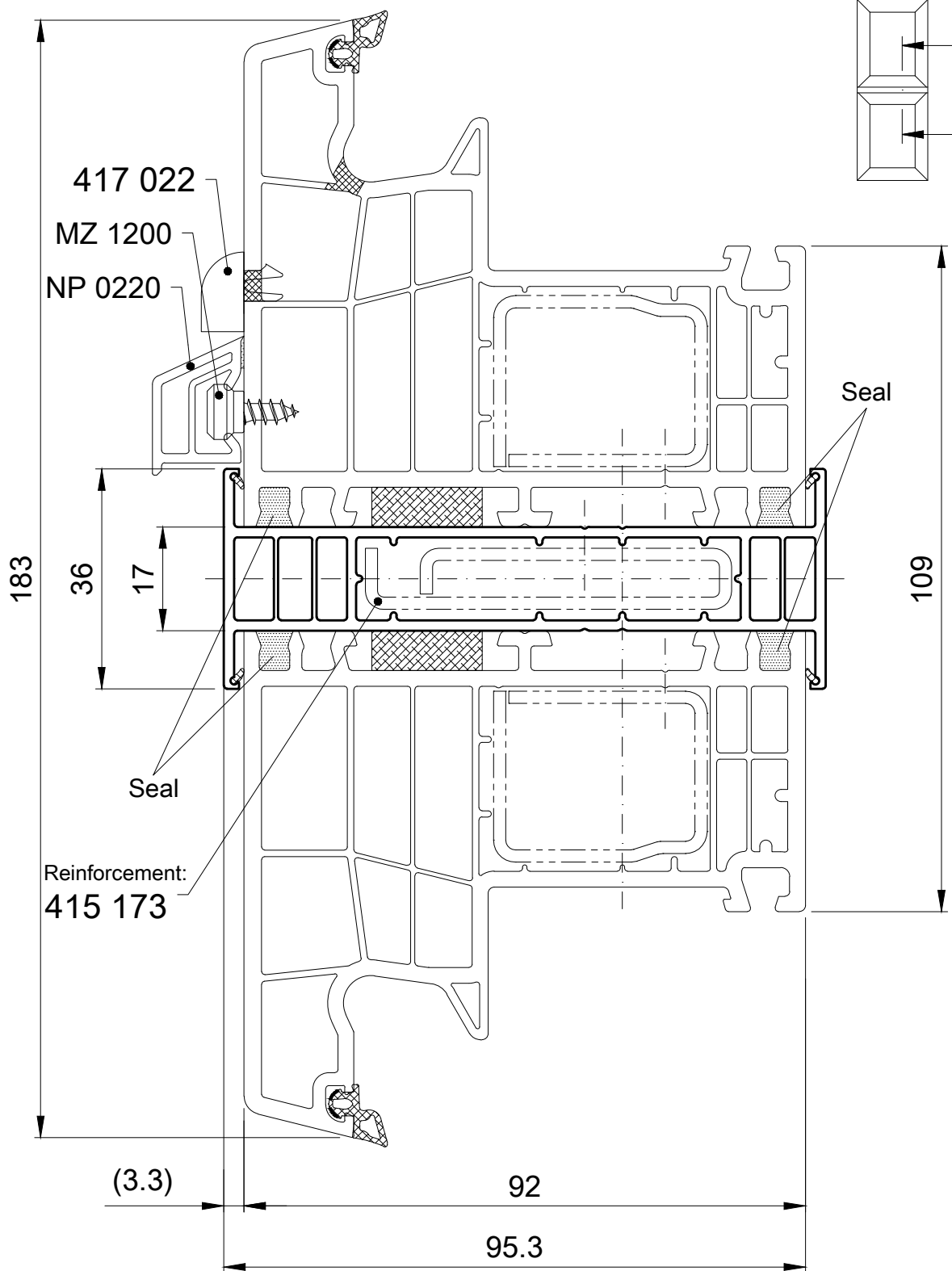
Issue: 03/2012

Coupling (insert horizontal)

476 273

bE 04

08.11



Pre-compressed gasket tape



need a drainage

Seal with permanently elastic, neutrally bonding sealant, suitable for PVC and galvanized steel.

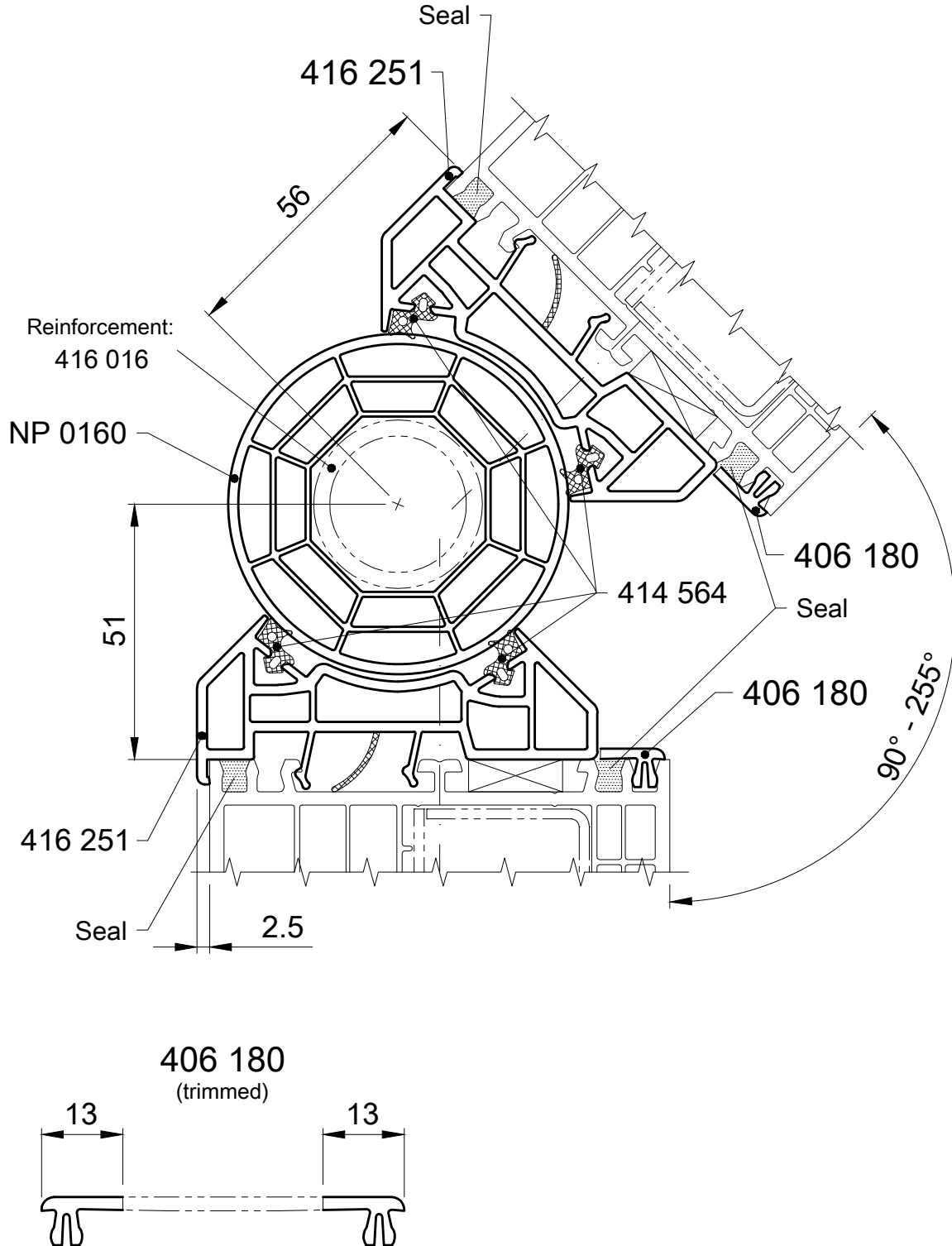
Scale 1:1 (or depending on print-out)

Issue: 03/2012

Variable corner connection

Corner connection	Cover
416 250, 416 251	406 180

bE 04
09.1



Deductible dimension in chapter SL.07 page 23.1

Seal with permanently elastic, neutrally bonding sealant, suitable for PVC and galvanised steel.

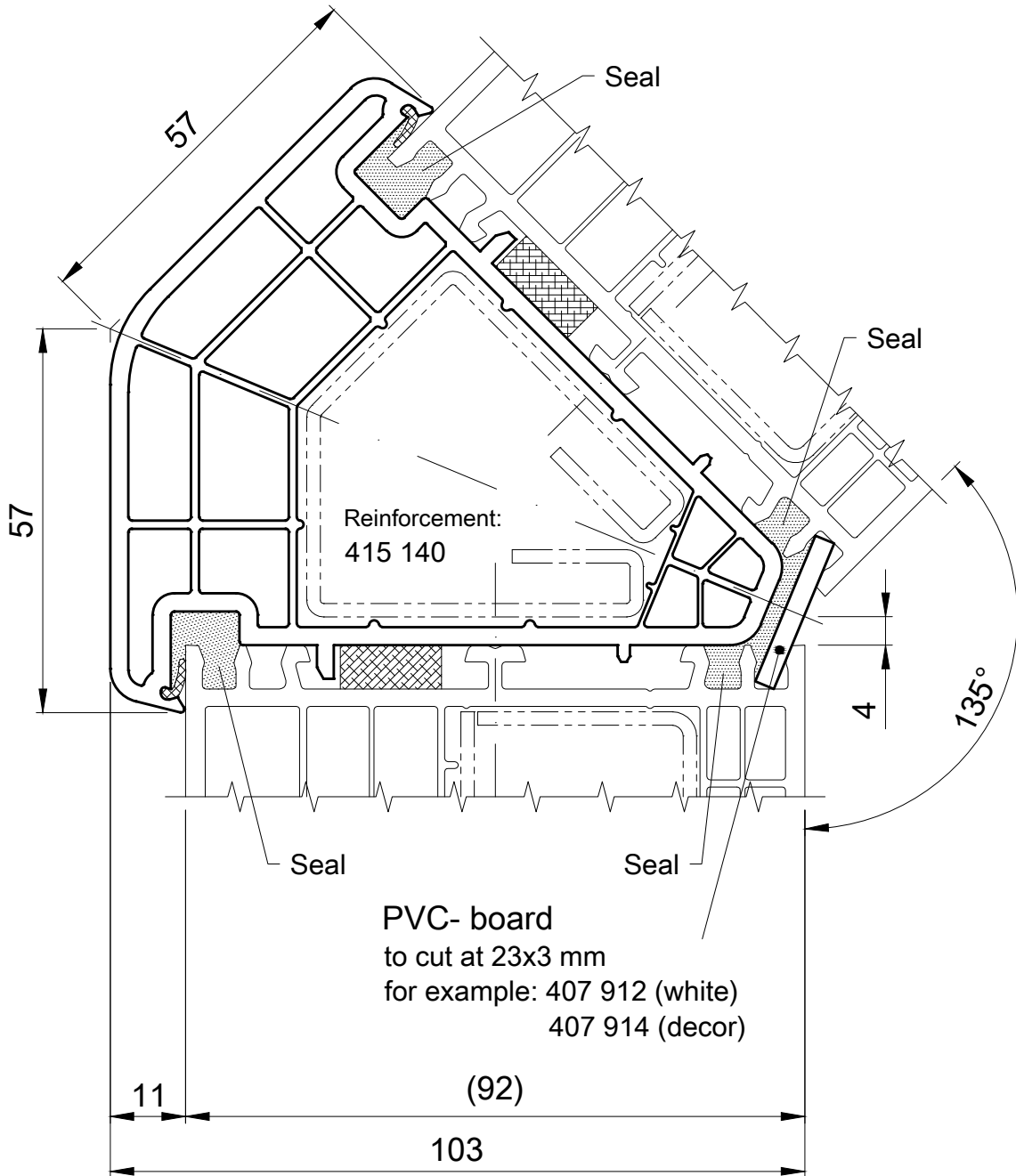
Not to scale

Issue: 03/2012

Corner connection 135°

Corner connection
416 240

bE 04
09.2



Pre-compressed gasket tape

Deductible dimension in chapter SL.07 page 23.2

Seal with permanently elastic, neutrally bonding sealant, suitable for PVC and galvanised steel.

Scale 1:1 (or depending on print-out)

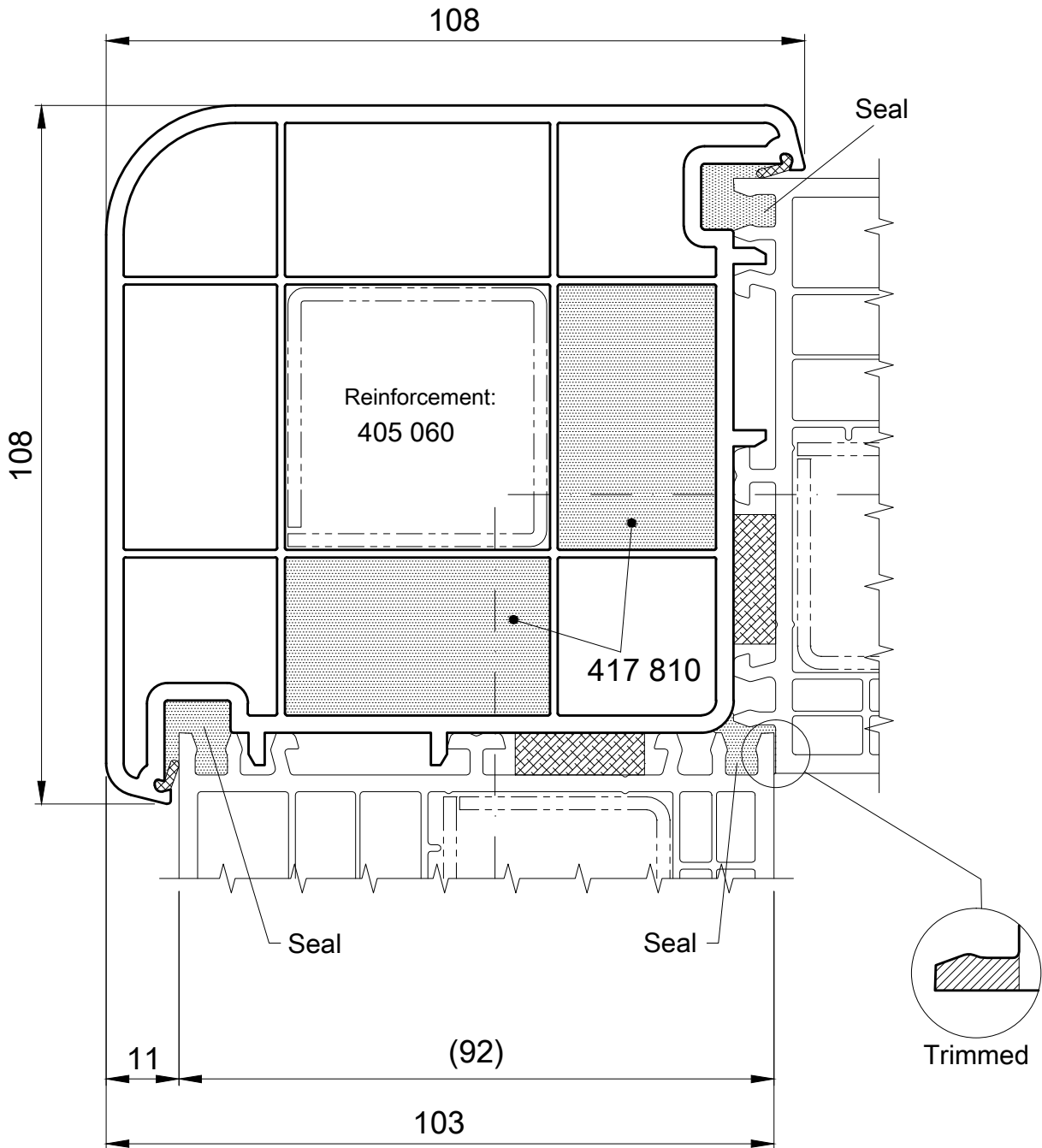
Issue: 03/2012

Corner connection 90°

Corner connection
416 210

Insulation strip
417 810

bE 04
09.3



Pre-compressed gasket tape

Deductible dimension in chapter SL.07 page 23.3

Seal with permanently elastic, neutrally bonding sealant, suitable for PVC and galvanised steel.

Scale 1:1 (or depending on print-out)

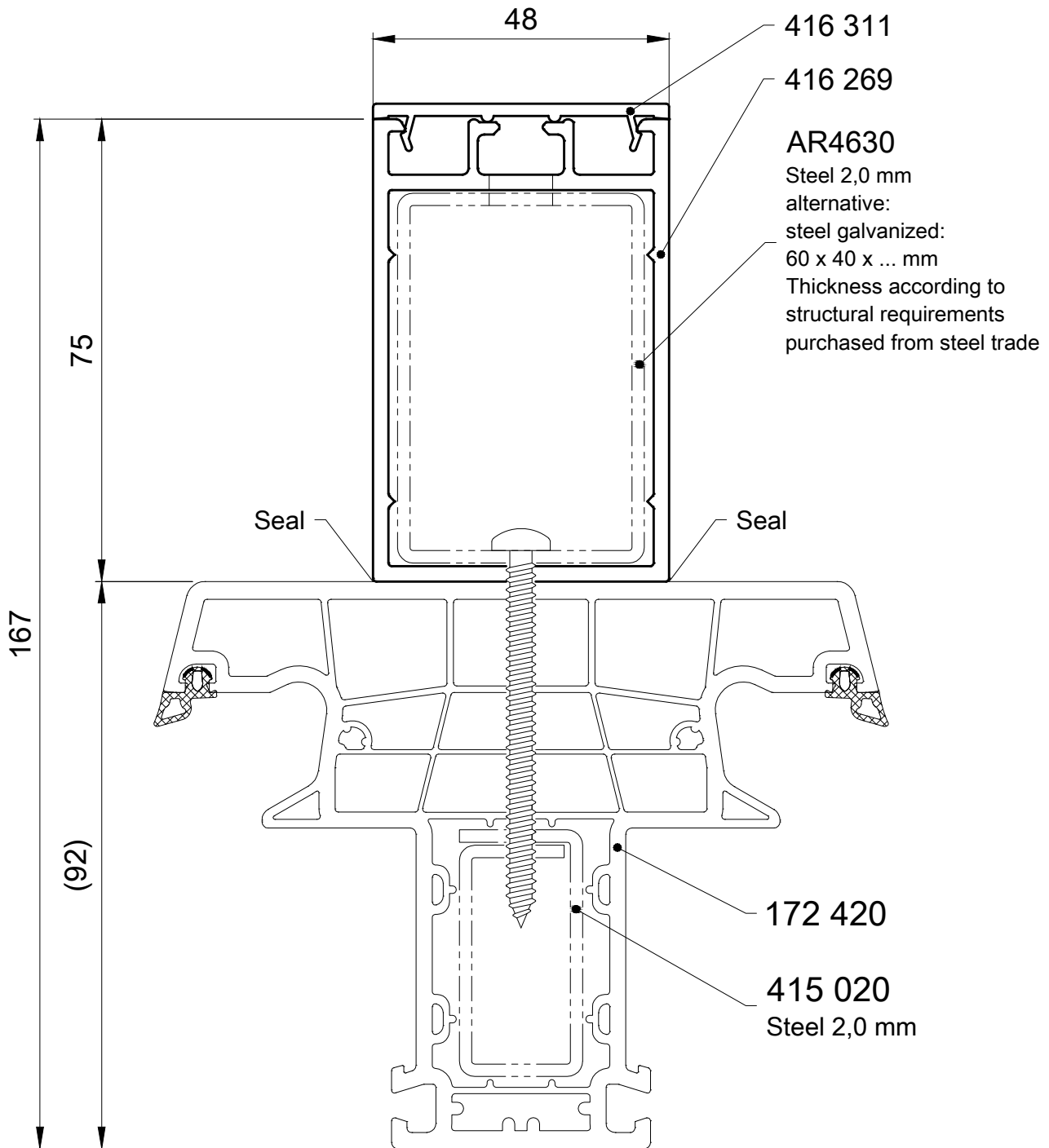
Issue: 03/2012

Post
172 420 (172 421)

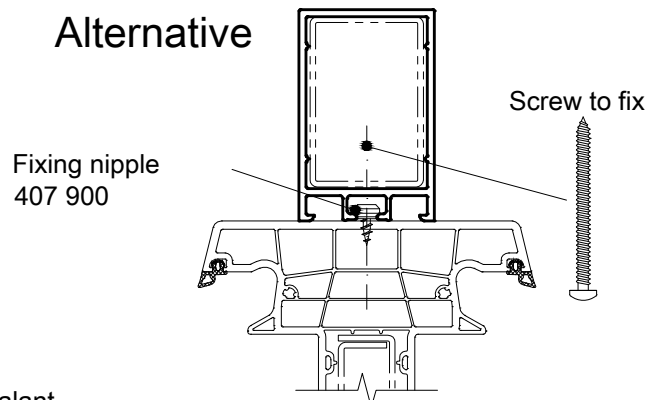
Post reinforcement
416 269

Cover profile
416 311

bE 04
10.1



Alternative



Seal with permanently elastic, neutrally bonding sealant, suitable for PVC and galvanized steel.

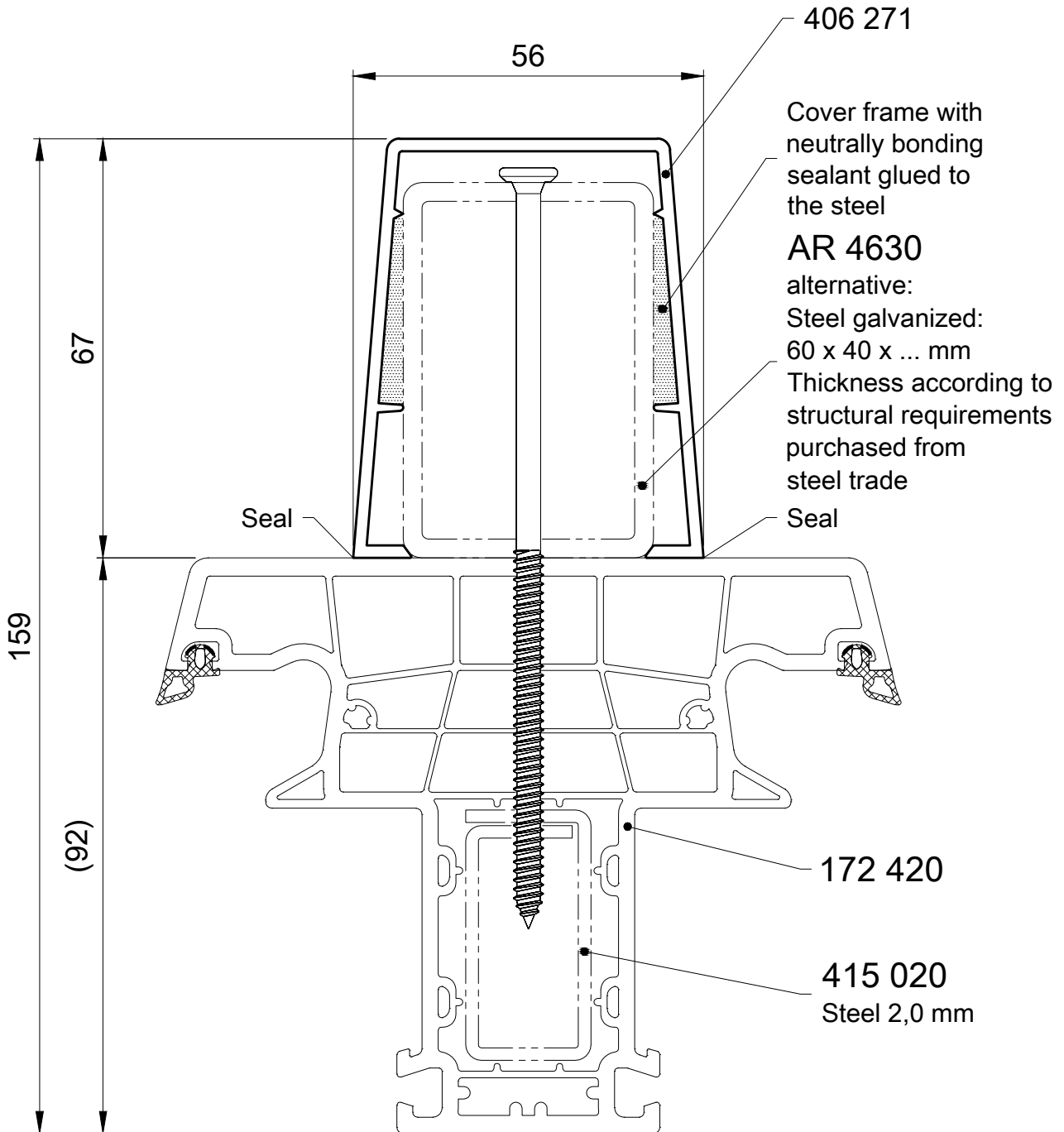
Scale 1:1 (or depending on print-out)

Issue: 03/2012

Post
172 420 (172 421)

Post reinforcement
406 271

bE 04
10.2



Seal with permanently elastic, neutrally bonding sealant, suitable for PVC and galvanized steel.

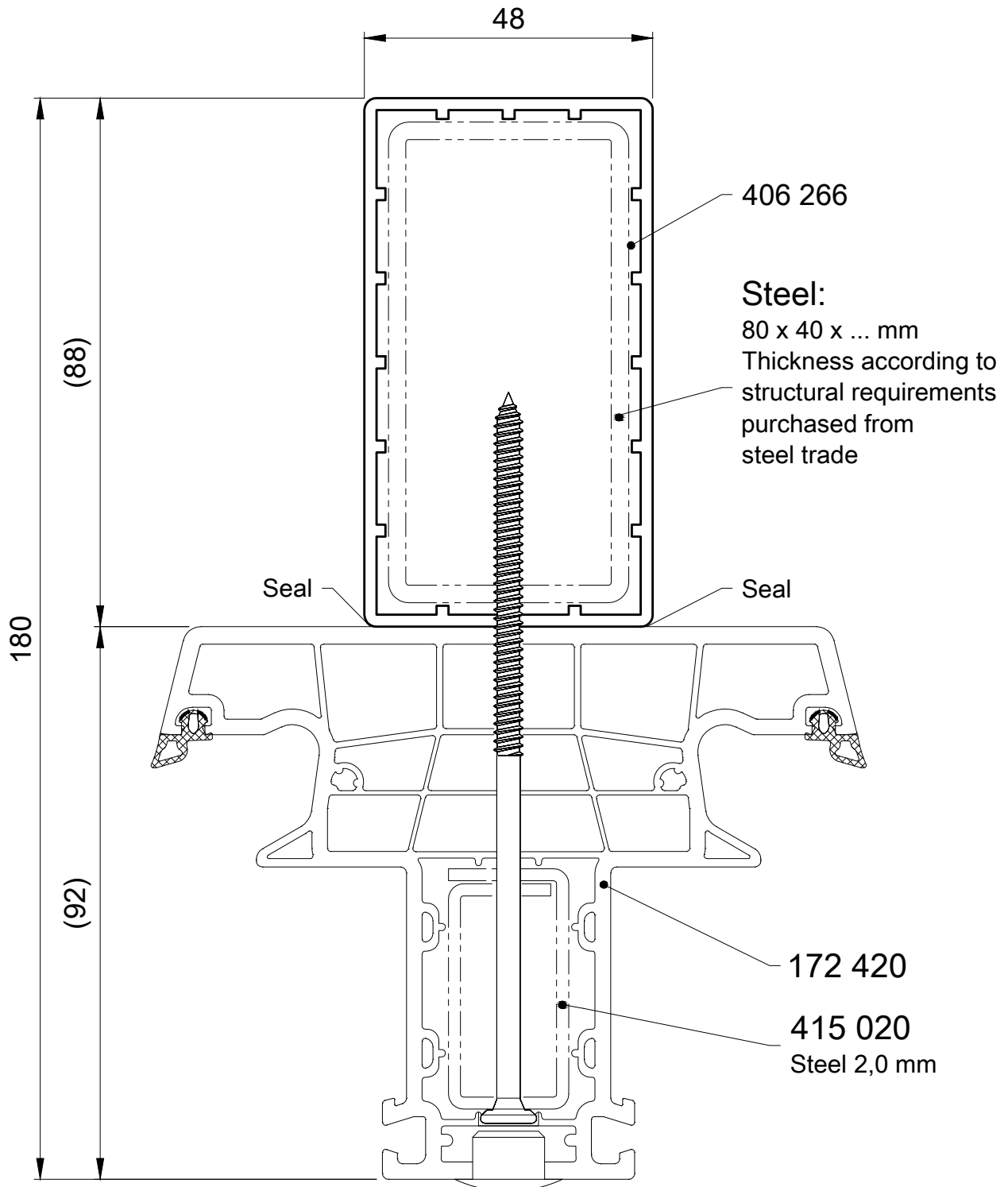
Scale 1:1 (or depending on print-out)

Issue: 03/2012

Post
172 420 (172 421)

Post reinforcement
406 266

bE 04
10.3



Seal with permanently elastic, neutrally bonding sealant, suitable for PVC and galvanised steel.

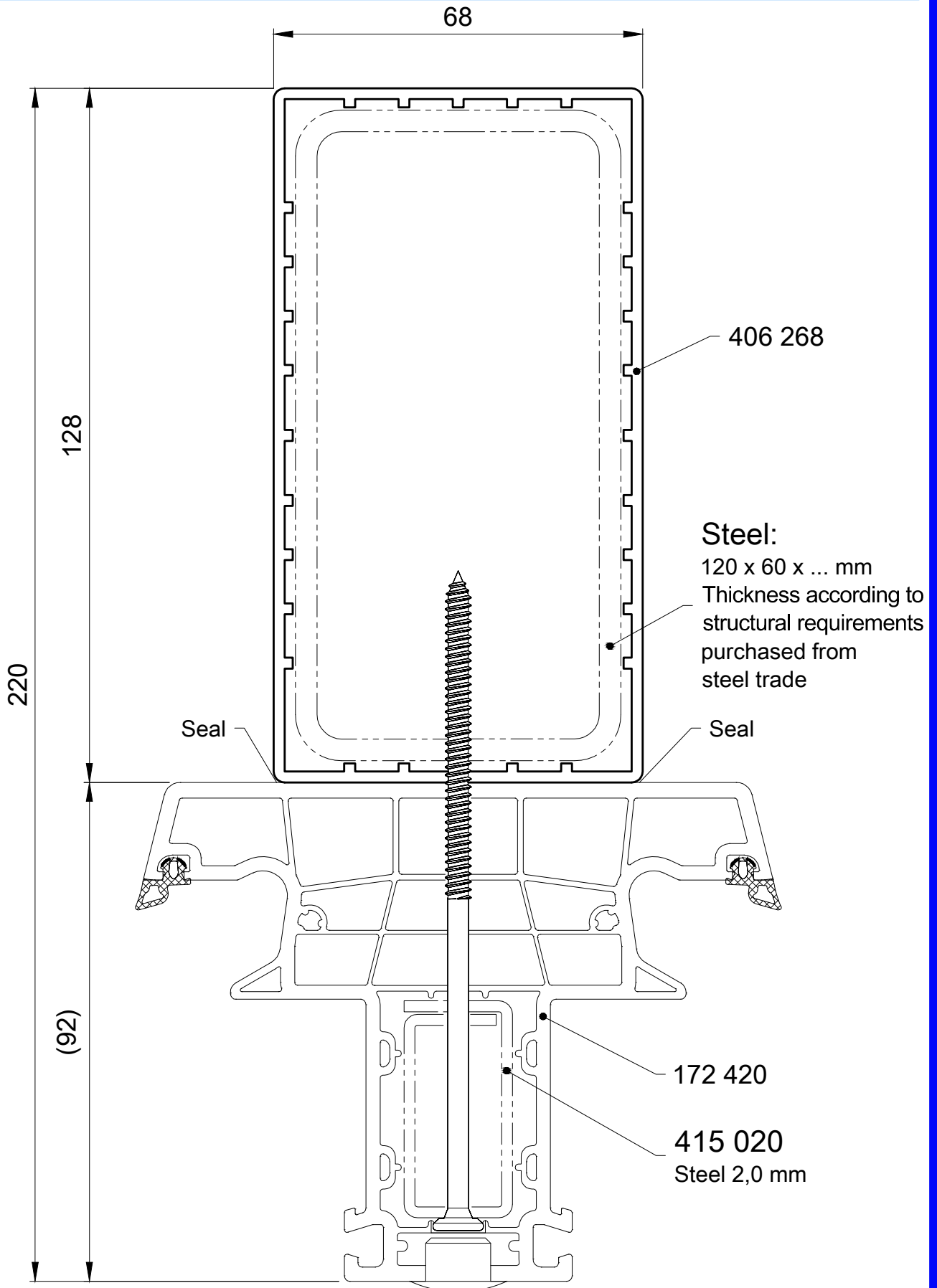
Scale 1:1 (or depending on print-out)

Issue: 03/2012

Post
172 420 (172 421)

Post reinforcement
406 268

bE 04
10.4



Seal with permanently elastic, neutrally bonding sealant, suitable for PVC and galvanised steel.

Scale 1:1 (or depending on print-out)

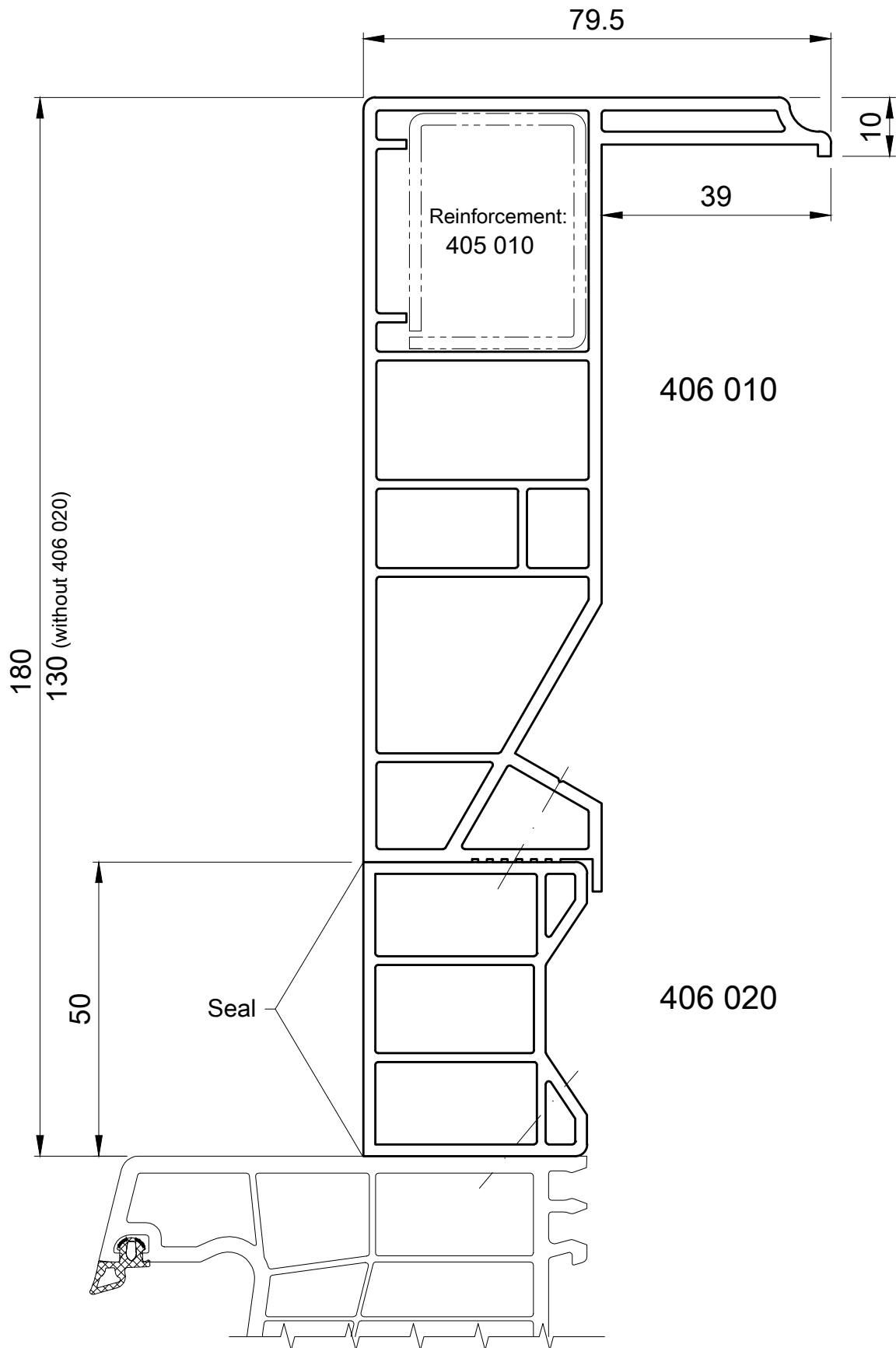
Issue: 03/2012

Pilaster strip profiles

406 010, 406 020

bE 04

11.1



Seal with permanently elastic, neutrally bonding sealant, suitable for PVC and galvanised steel.

Scale 1:1 (or depending on print-out)

Issue: 03/2012