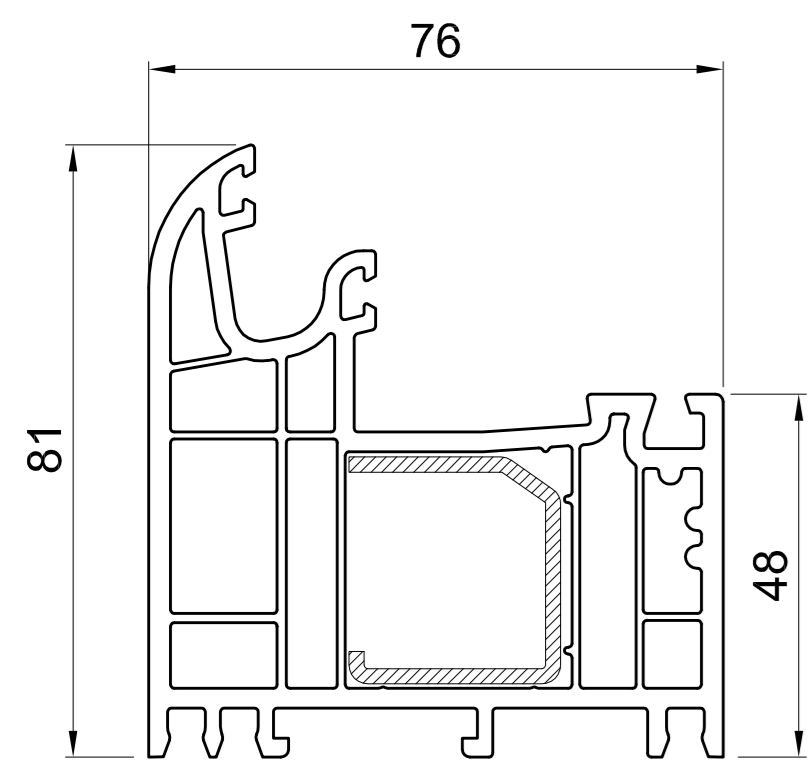
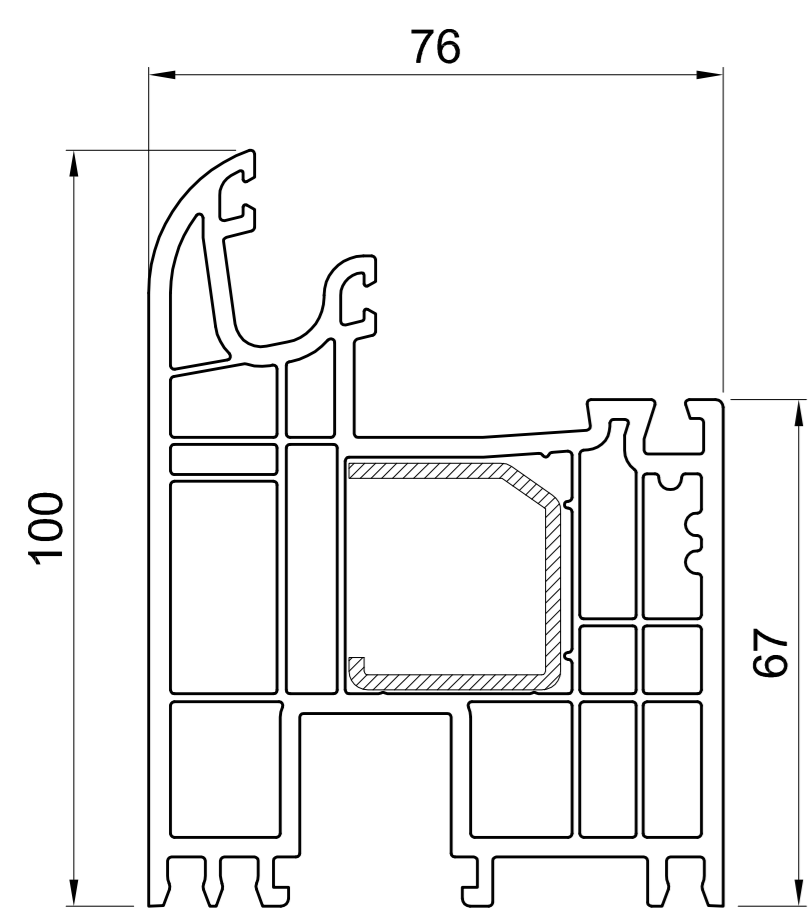


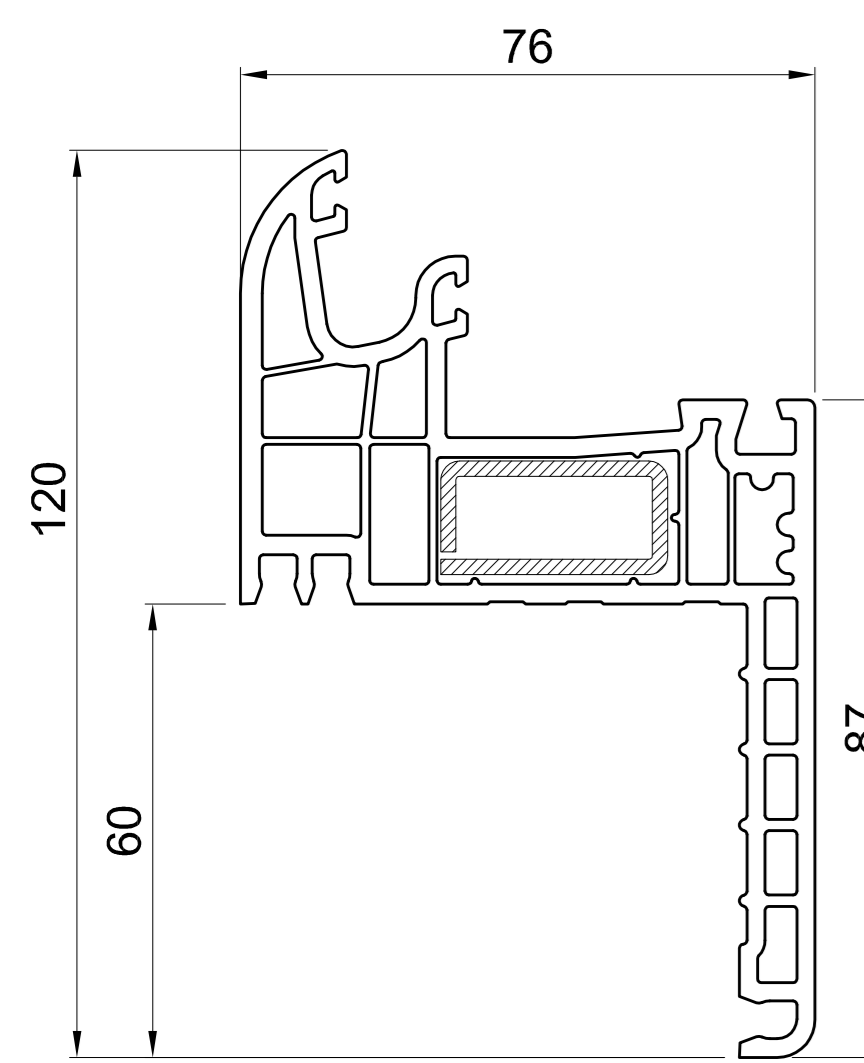
Design-Frames 3D



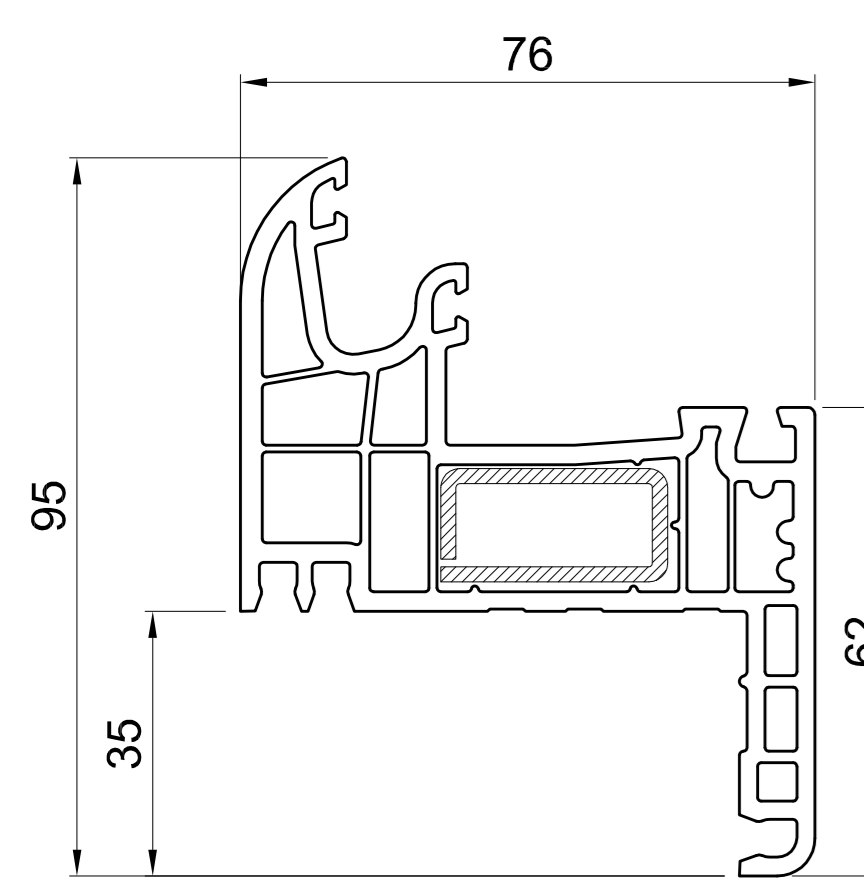
110 220
Reinforcement: 30x28 215 025
Reinforcement: 30x28 415 128 (tg)



110 230
Reinforcement: 30x28 215 025
Reinforcement: 30x28 415 128 (tg)

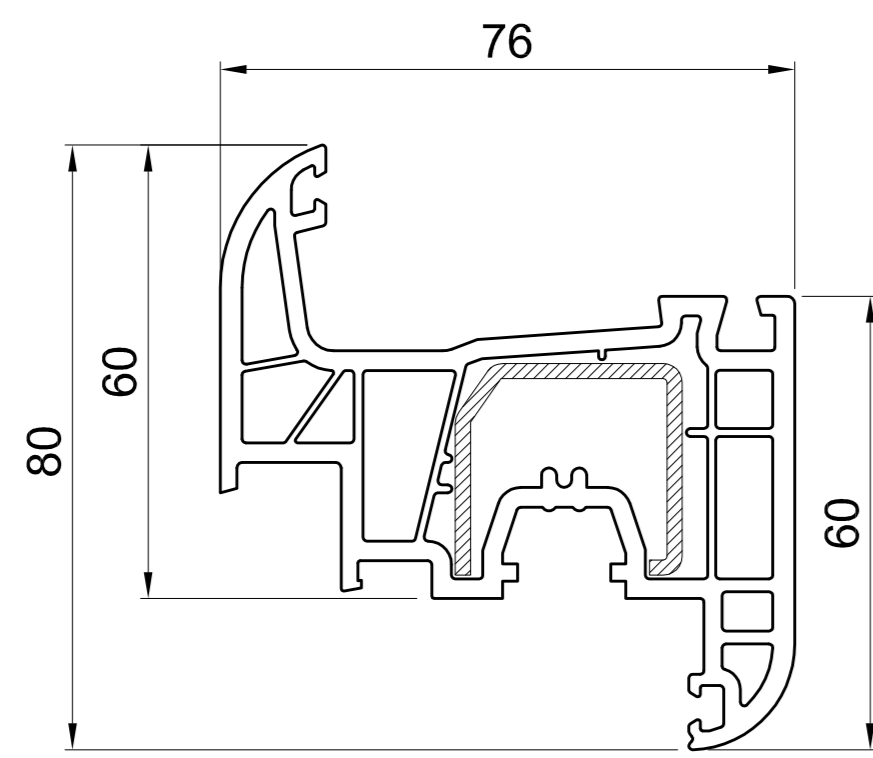


110 148
Steel tube: 30x15 105 020

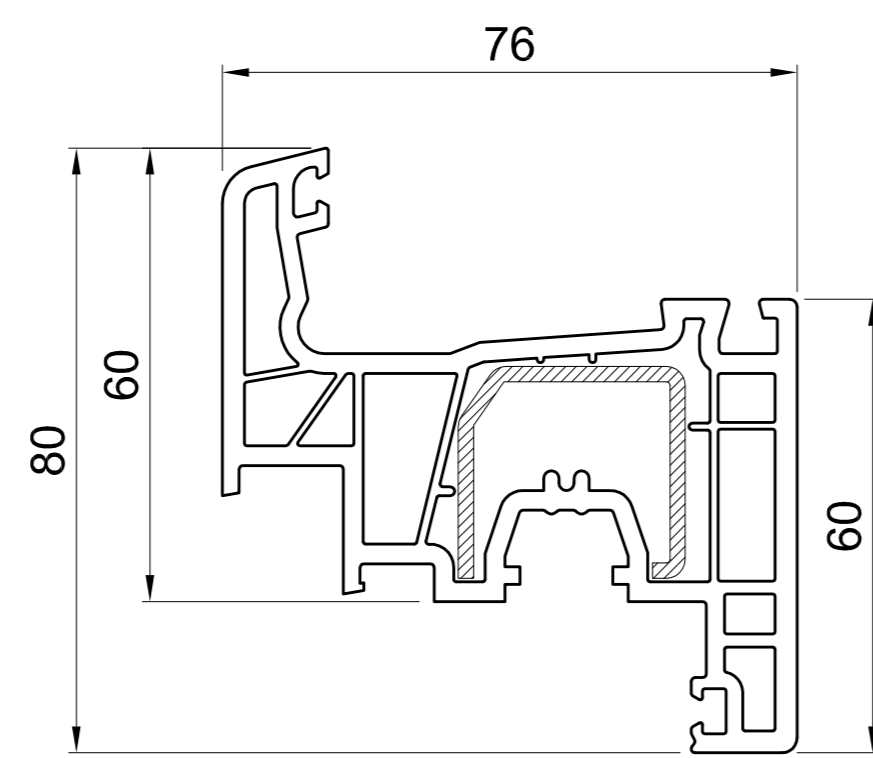


110 154
Steel tube: 30x15 105 020

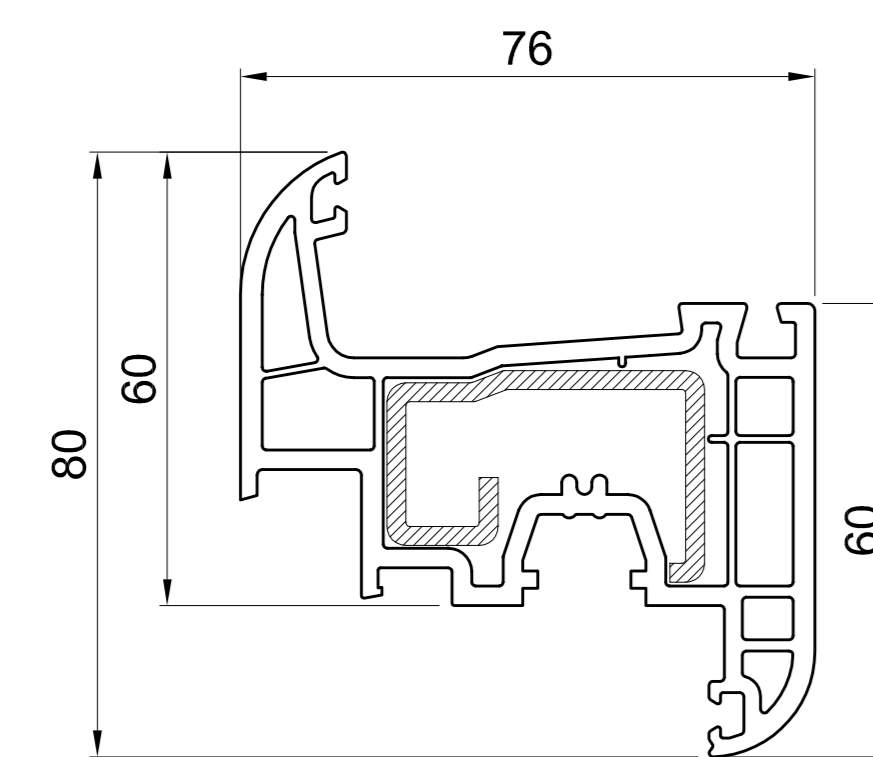
Casaments



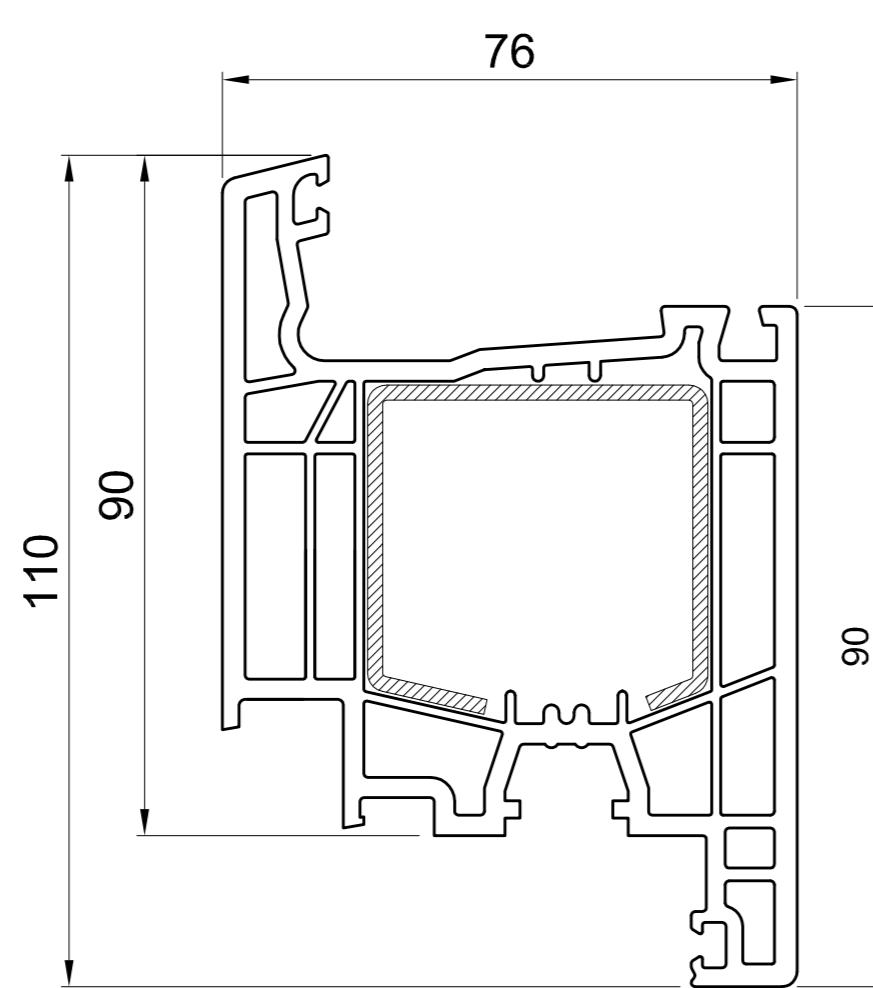
211 220
Reinforcement: 30x28 215 025
Reinforcement: 29x28 415 127 (tg)
Reinforcement: 31x28 215 028



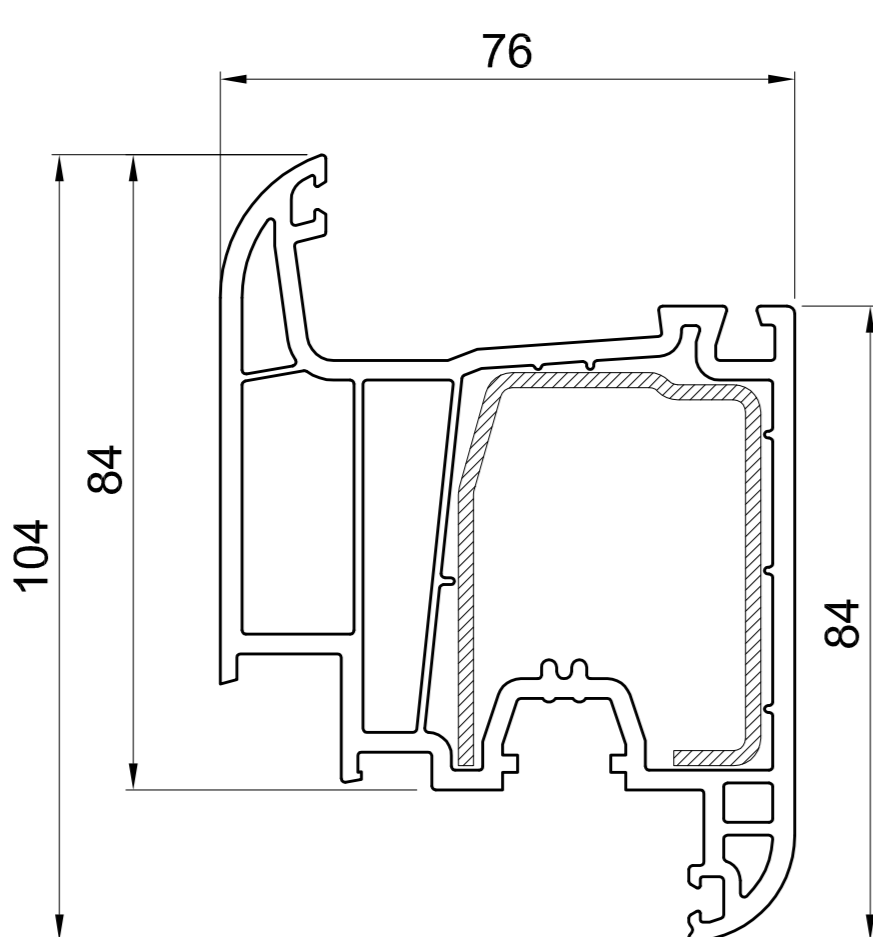
211 120
Reinforcement: 30x28 215 025
Reinforcement: 29x28 415 127 (tg)
Reinforcement: 31x28 215 028



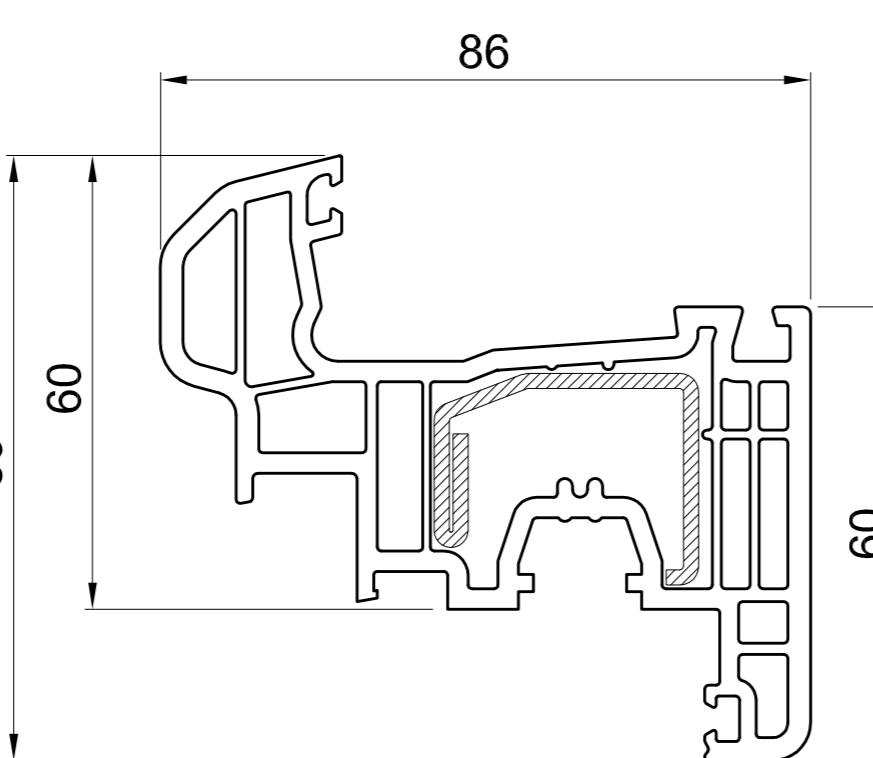
211 222
Reinforcement: 42x28 215 222



211 136
Steel tube: 45x40 215 130
Reinforcement: 45x43,5 415 230

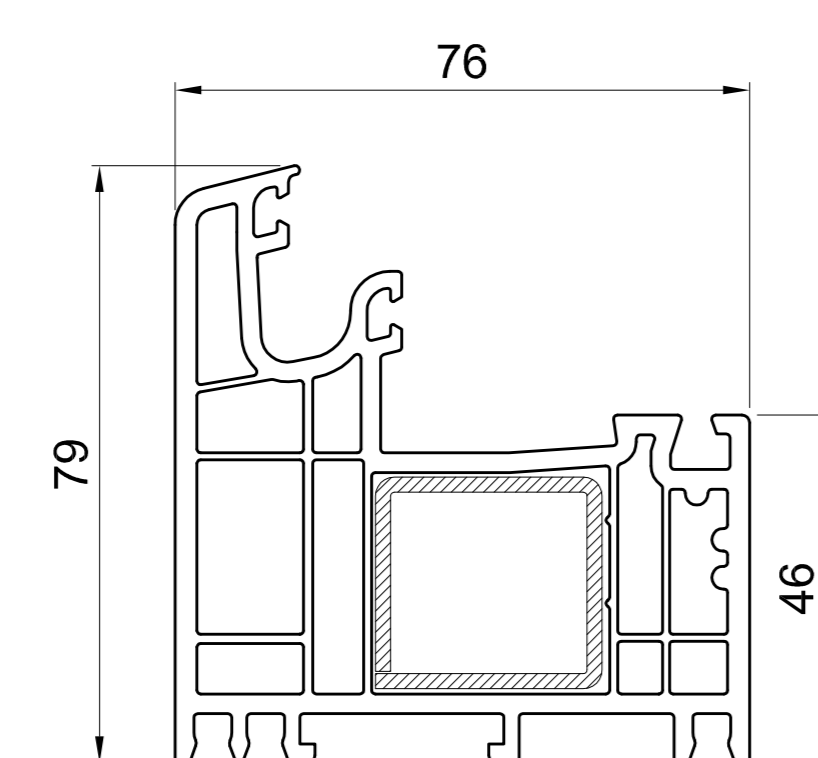


211 230
Reinforcement: 52x40 455 030



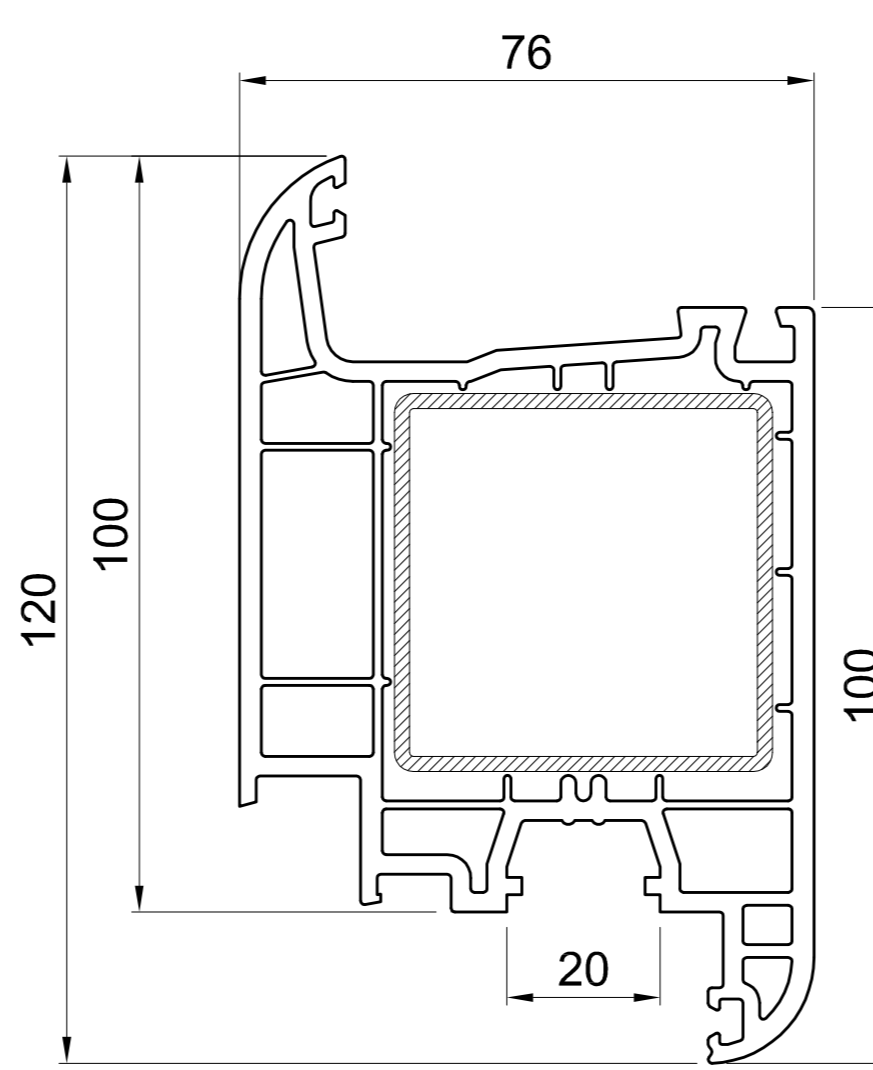
211 365
Reinforcement: 35x28 415 270
Reinforcement: 29x28 415 127 (tg)

Frames 3Ds

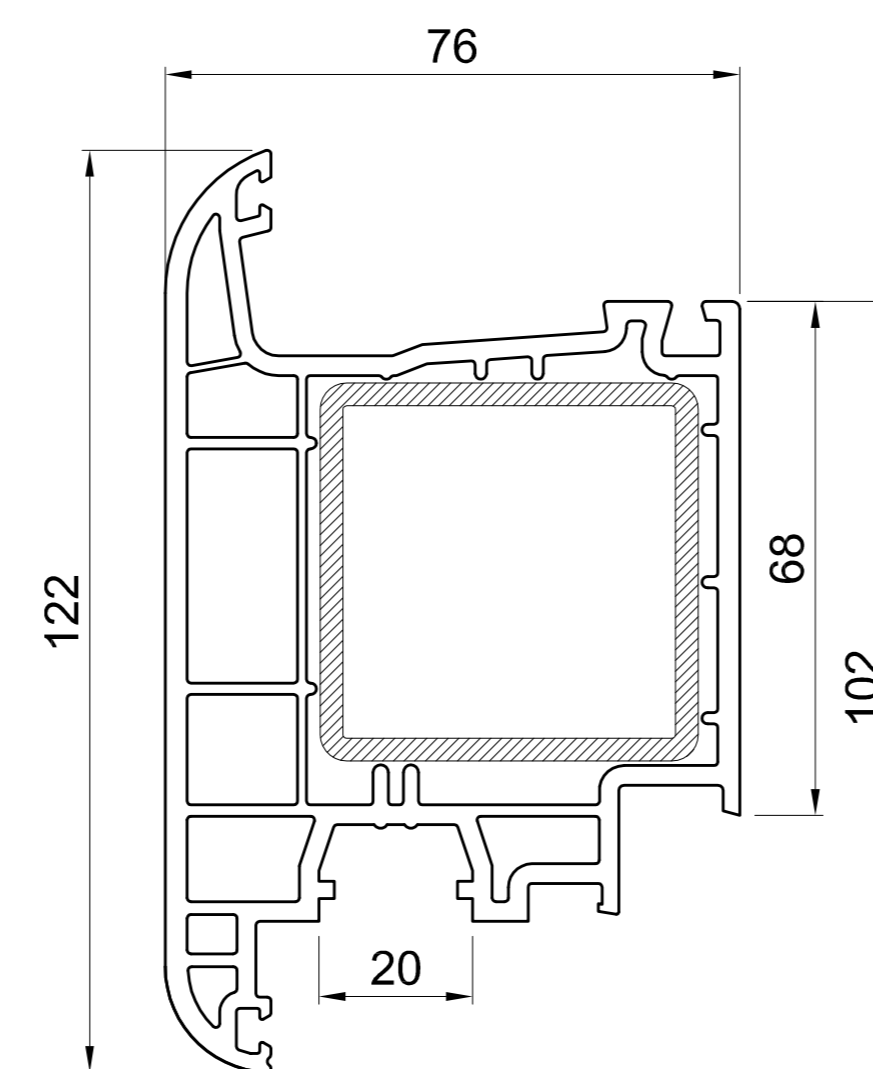


110 225
Steel tube: 30x28 415 028
Steel tube: 30x28 415 129 (tg)

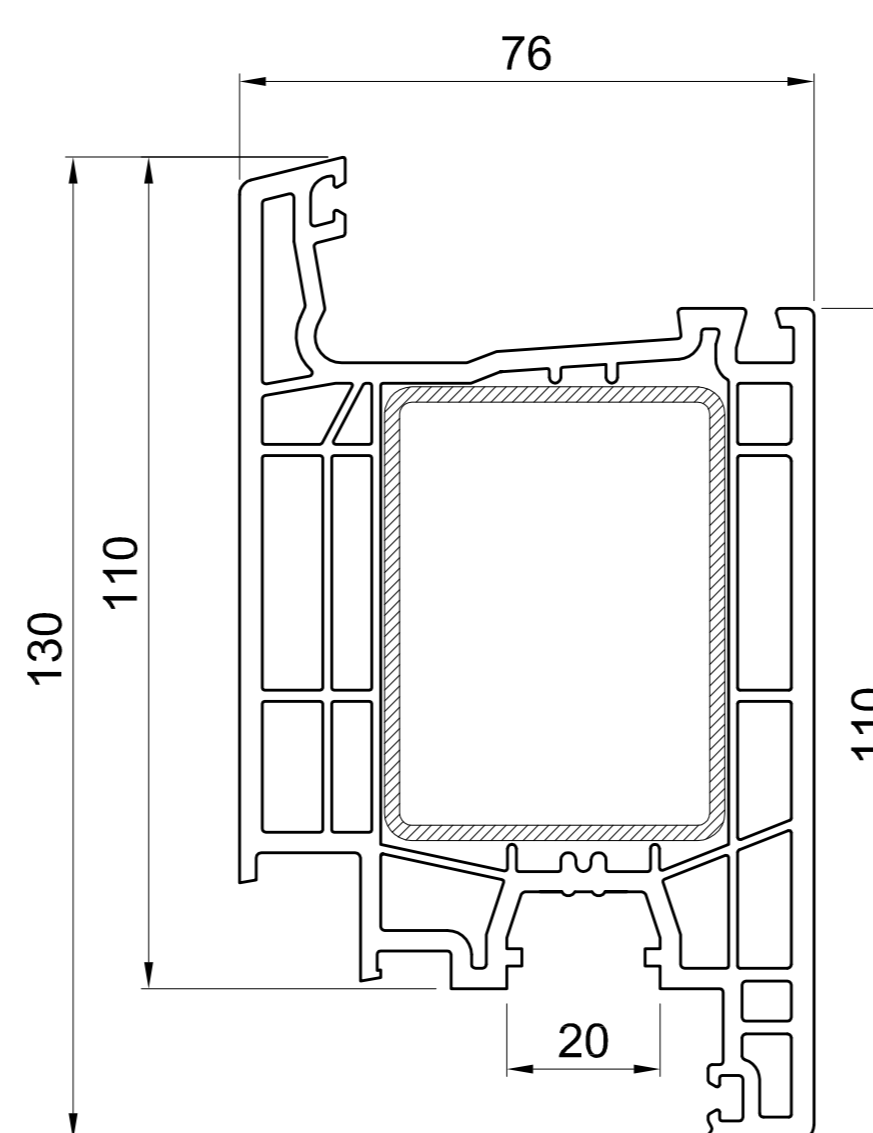
Entrance door leafs



211 240
Steel tube: 50x50
215 040, 215 050
Weldable corner connector
217 050
Clamp lever for connector
207 910

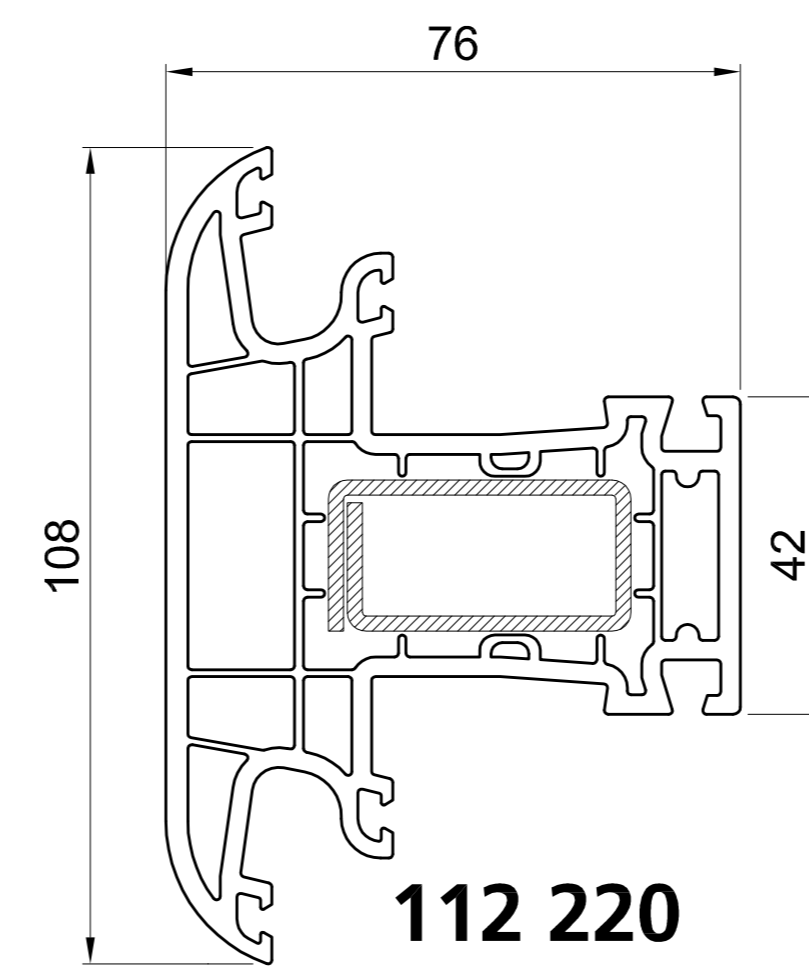


311 240
Steel tube: 50x50
215 040,
415 240, 415 241
Weldable corner connector
217 050, 217 055
Clamp lever for connector
207 910

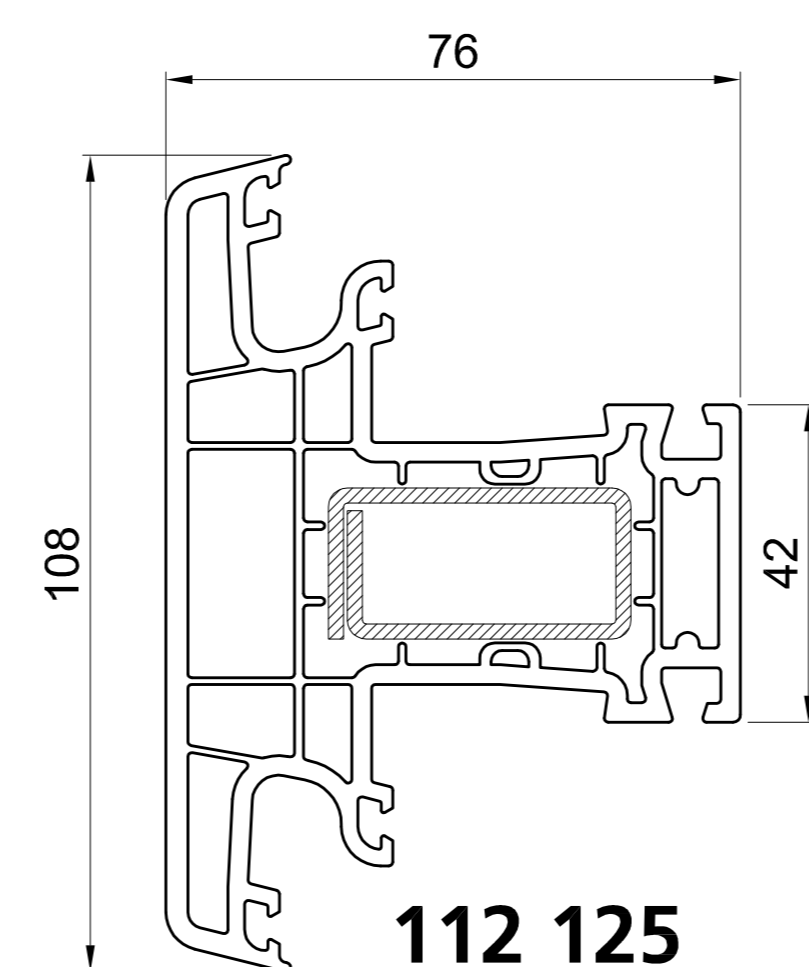


211 140
Steel tube: 60x45
415 045, 415 046
415 055, 415 056
Weldable corner connector
217 060
Clamp lever for connector
207 910

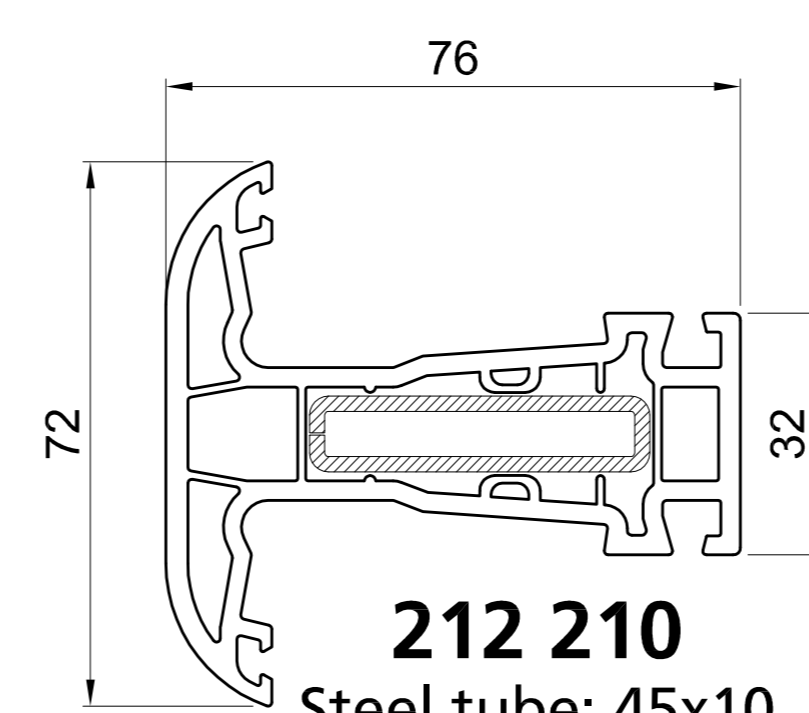
Posts / Muntins



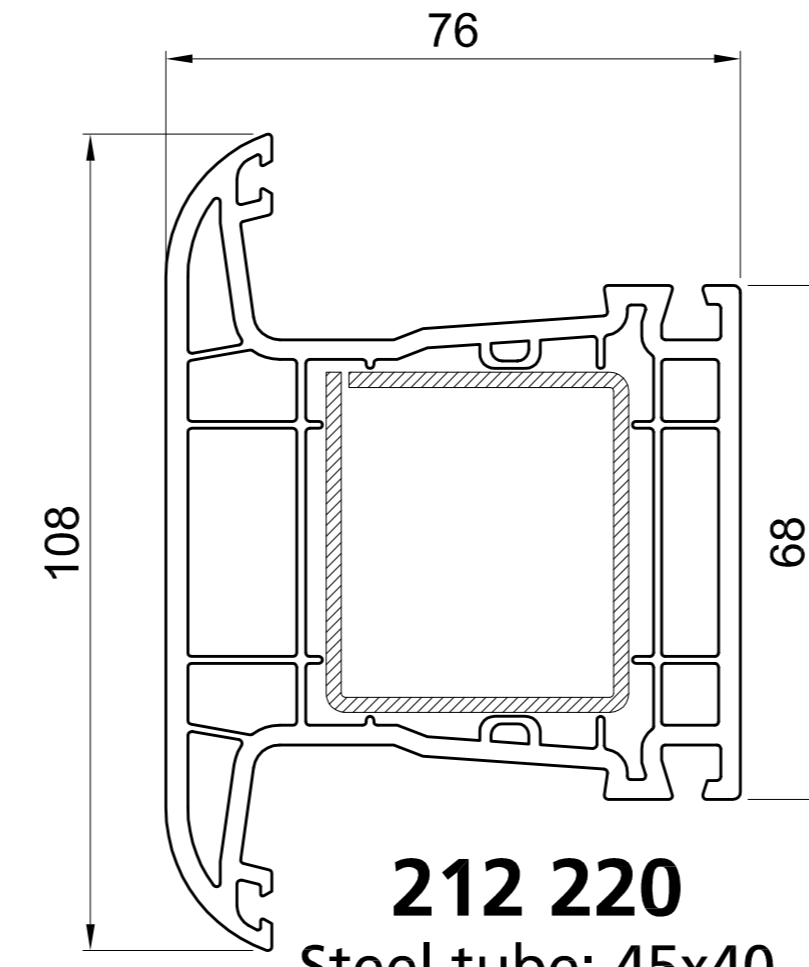
112 220
Steel tube: 40x20
415 020 Post cruxiform coupler set: 118 020 Sealing block included in the set: 118 810
Drilling template: 118 420



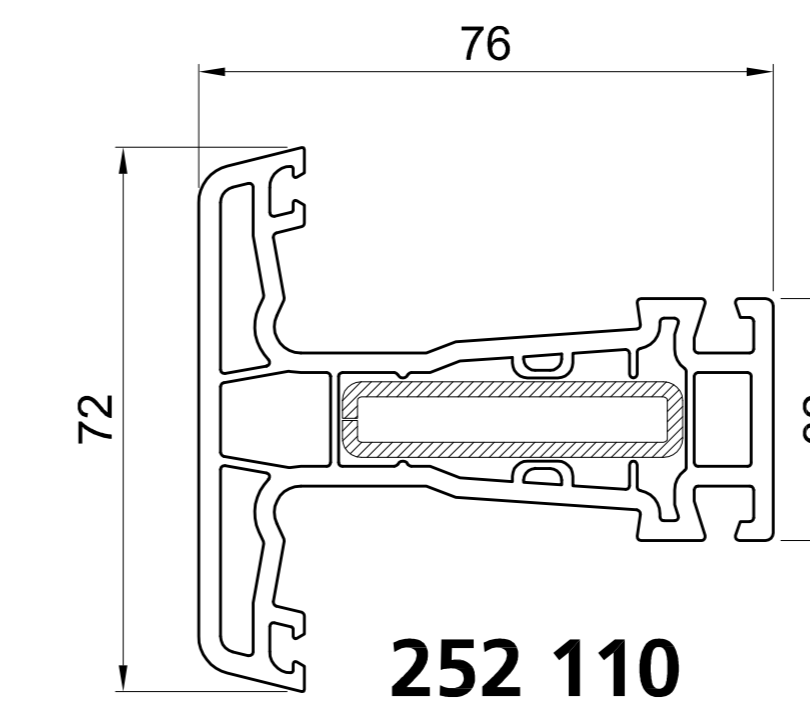
112 125
Steel tube: 40x20
415 020 Post cruxiform coupler set: 118 020 Sealing block included in the set: 118 810
Drilling template: 118 420



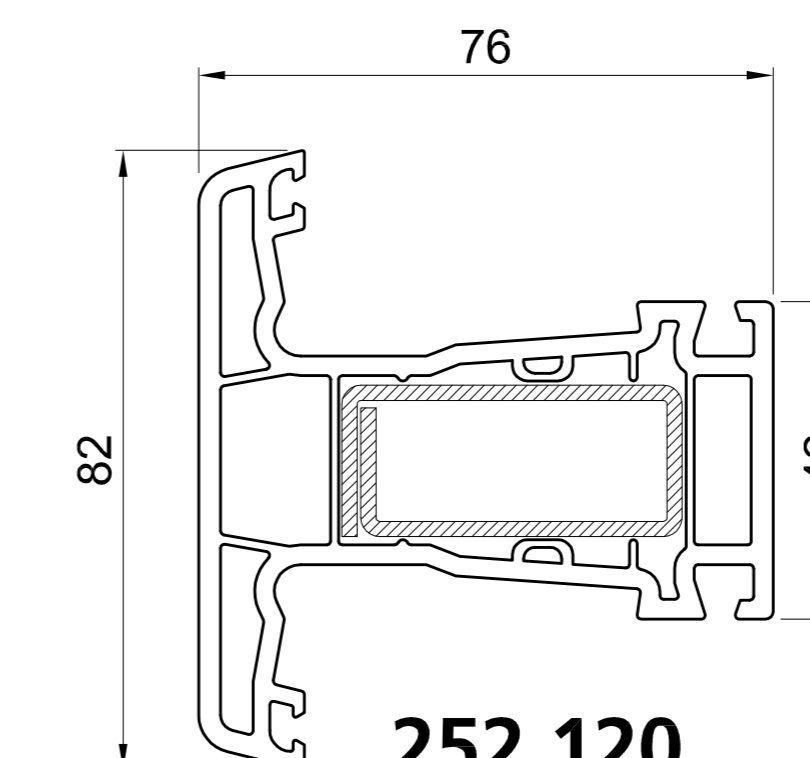
212 210
Steel tube: 45x10
405 012
Muntins-crxiform coupler set: 218 010
Sealing block order separately: 218 813
Drilling template: 218 425



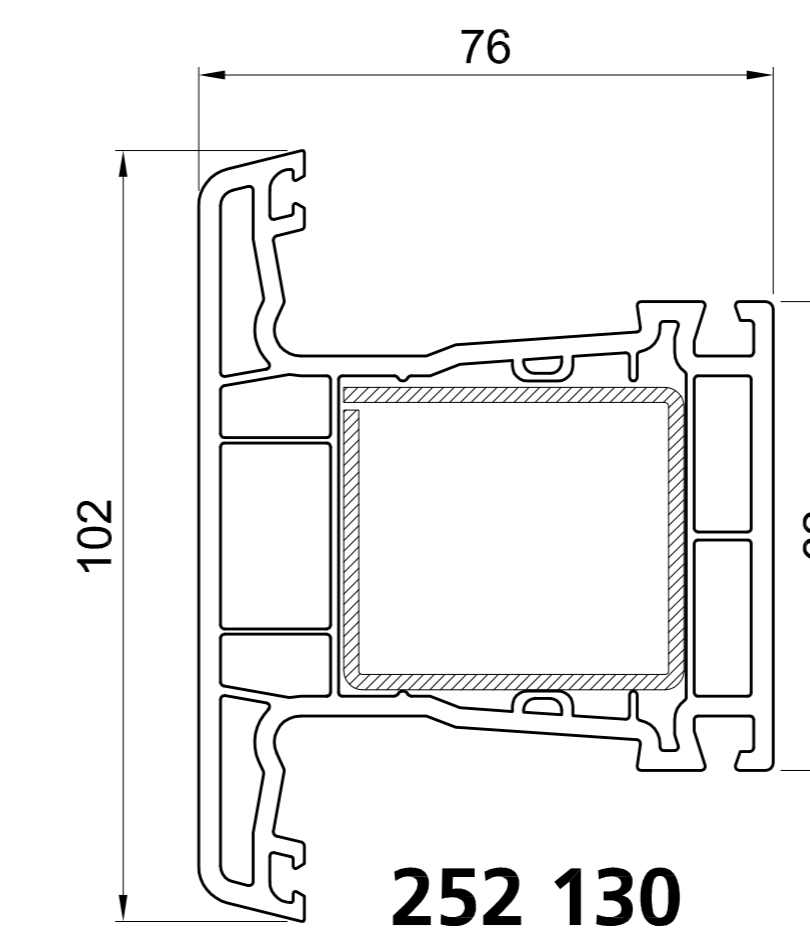
212 220
Steel tube: 45x40
215 130
Muntins-crxiform coupler set: 218 020
Sealing block included in the set: 218 820
Drilling template: 218 420



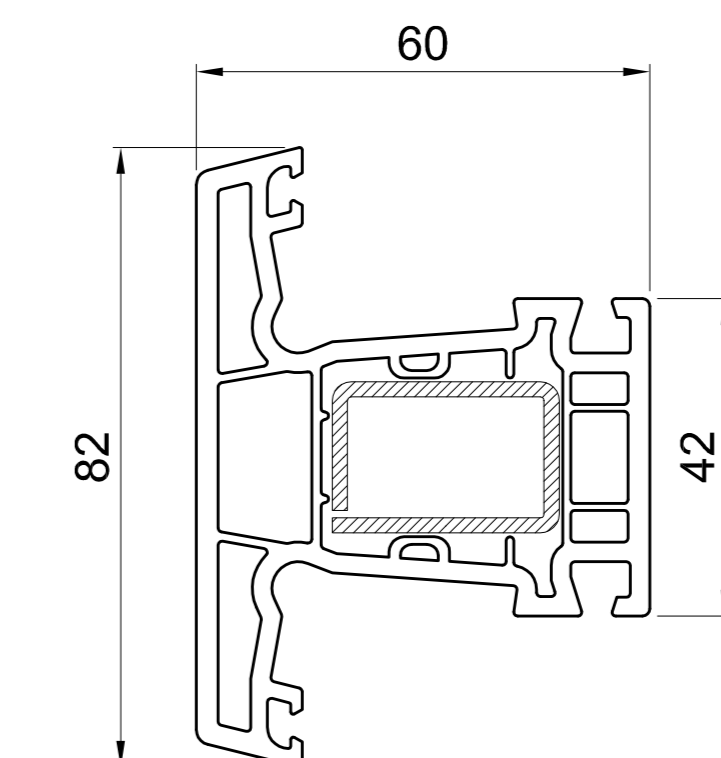
252 110
Steel tube: 45x10
405 012 Muntins-crxiform coupler set: 218 010
Sealing block order separately: 218 813
Drilling template: 218 425



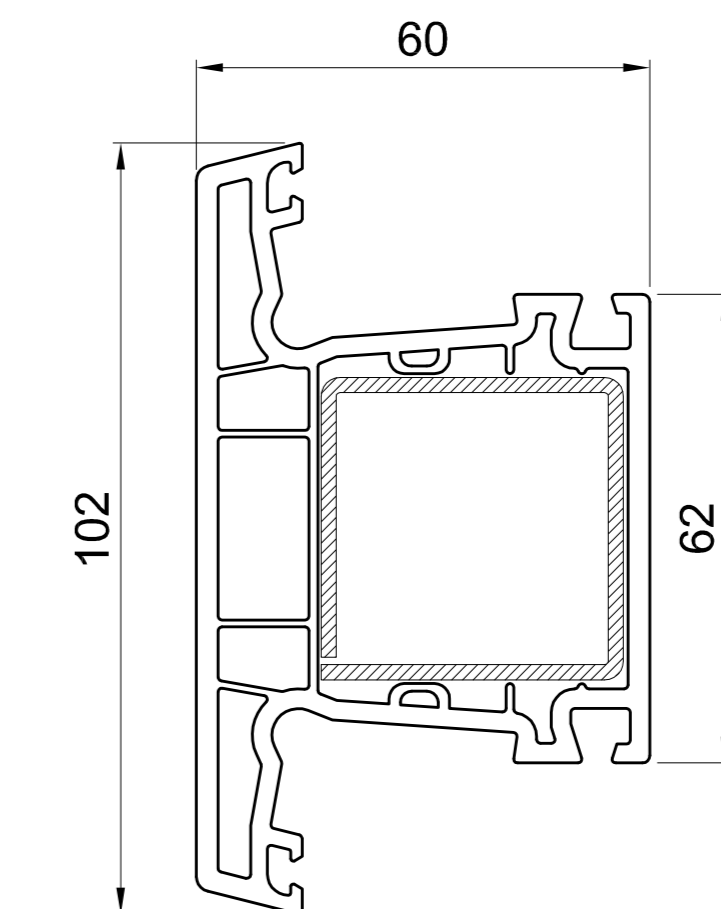
252 120
Steel tube: 45x20
215 120 Muntins-crxiform coupler set: 218 025
Sealing block order separately: 218 823
Drilling template: 218 425



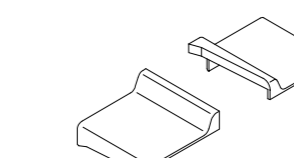
252 130
Steel tube: 45x40
215 130
Muntins-crxiform coupler set: 218 030
Sealing block order separately: 218 833
Drilling template: 218 425



212 025
Steel tube: 30x20
105 011 Mechanical cross joint set for mullions: 218 025
Sealing block order separately: 218 810
Drilling template: 218 425

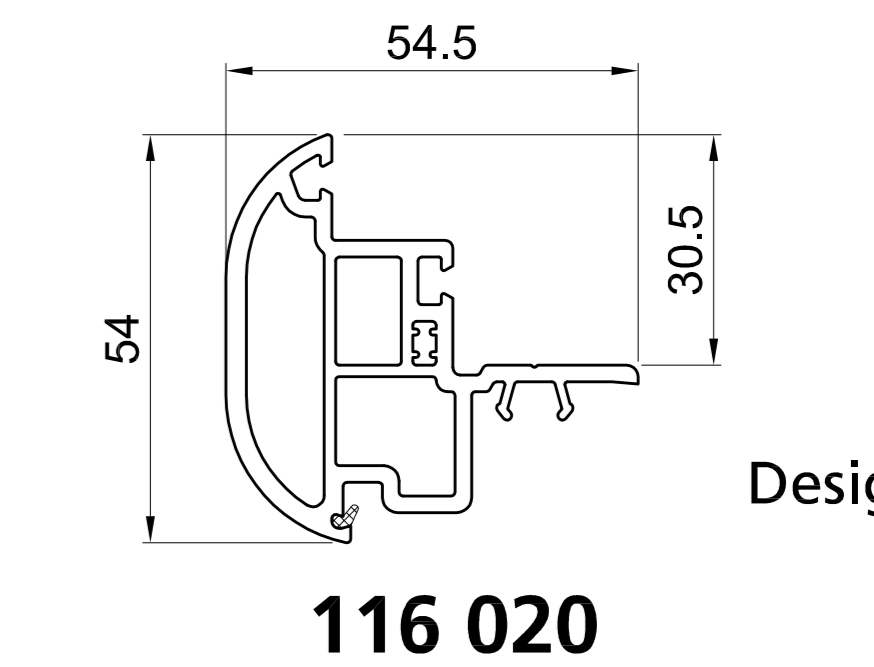


212 030
Steel tube: 40x40
405 060 Post cruxiform coupler set: 218 030
Sealing block order separately: 218 835
Drilling template: 218 425

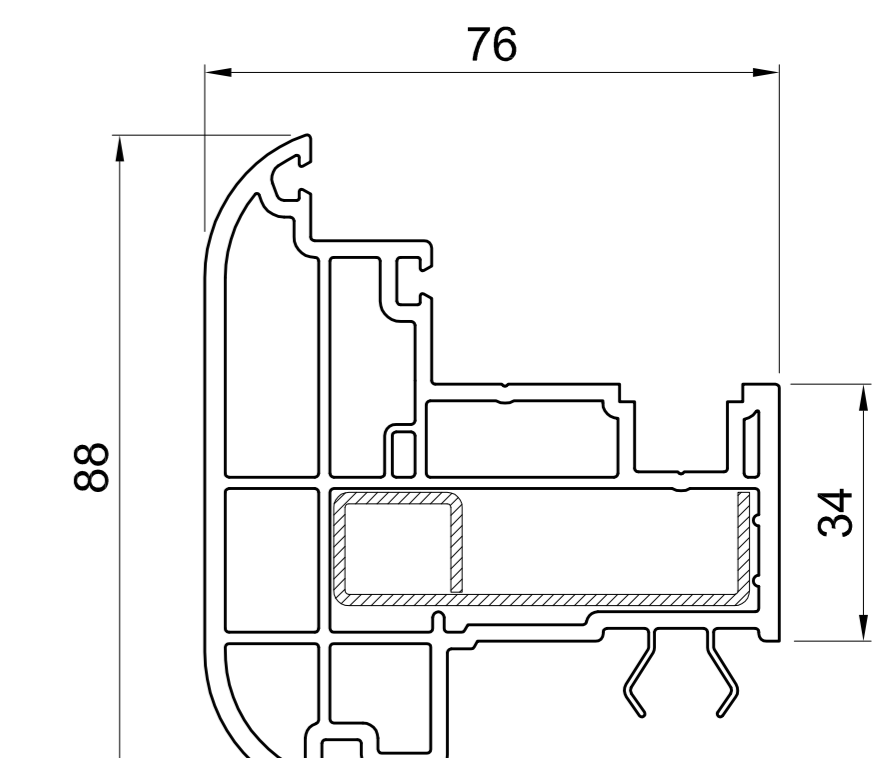


218 530
Cover cap for: 218 010, 218 025, 218 030

Overlap bars / False mullions

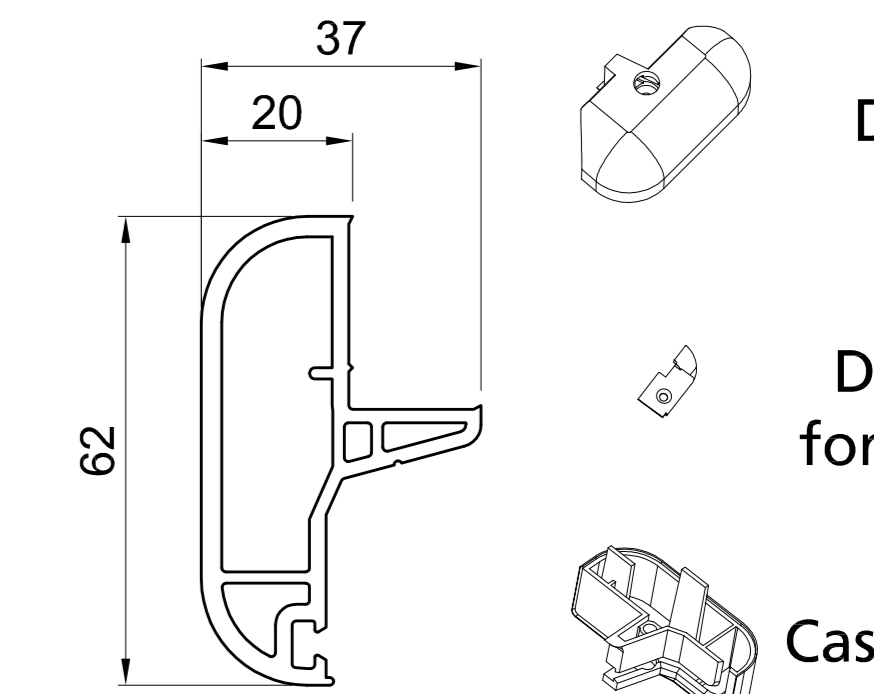


117 020
Design casement cap for 116 020



116 035
Reinforcement: 55x15
415 135, 415 136

117 035
Design casement cap für 116 035

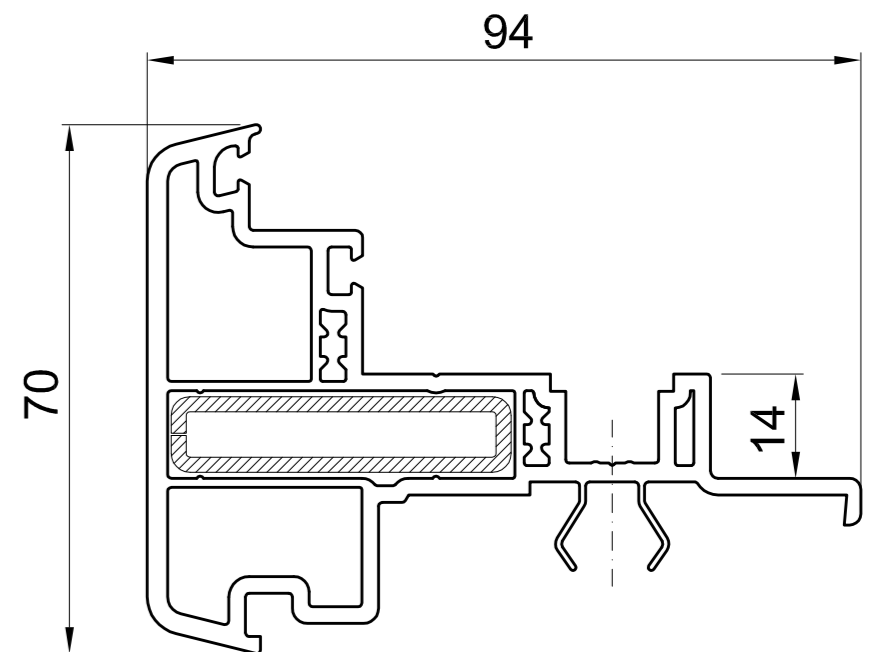


206 220

207 220
Design end cap for 206 220

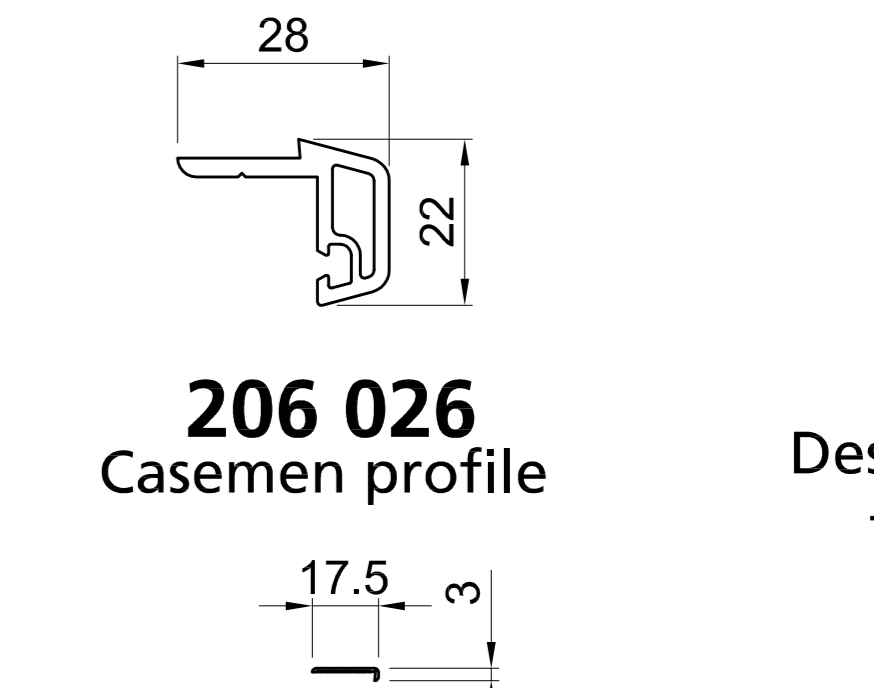
217 225
Design cover cap for overlap 206 220

217 220
Casement cap inside for 206 220



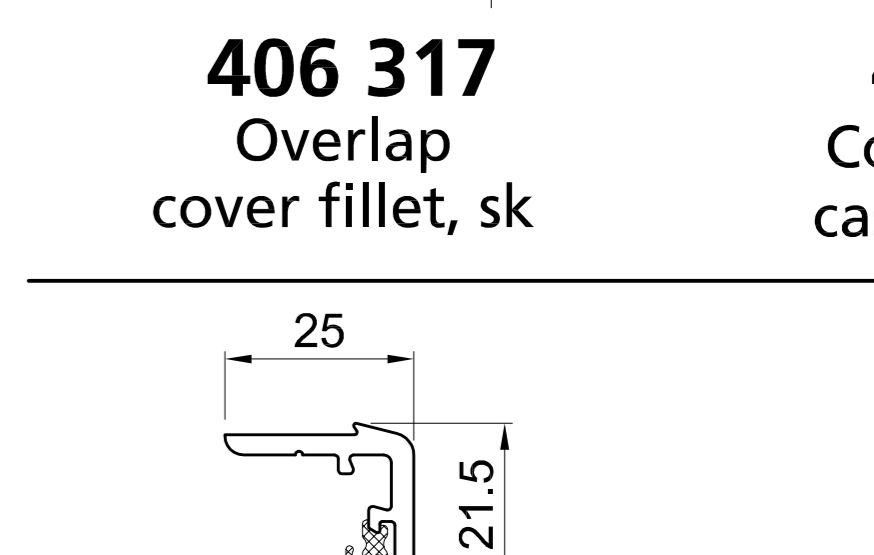
116 022
Steel tube: 45x10
405 012

117 022
Design casement cap for 116 022



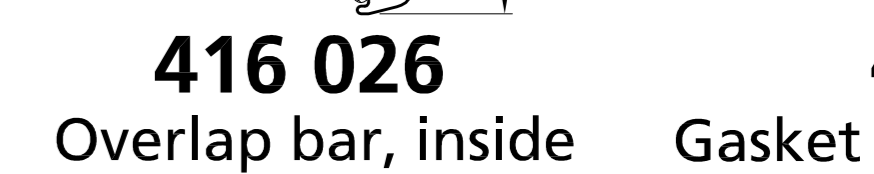
206 026
Casemen profile

217 026
Design cover cap for 206 026



406 317
Overlap cover fillet, sk

417 028
Cover cap for casement stop



416 026
Overlap bar, inside

414 927
Gasket block for 416 026